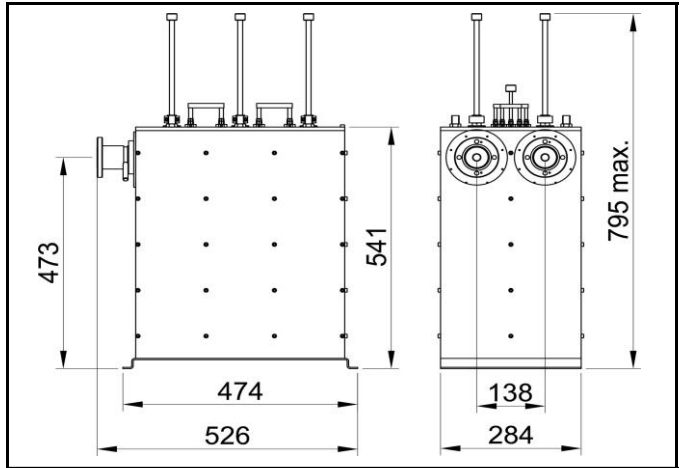


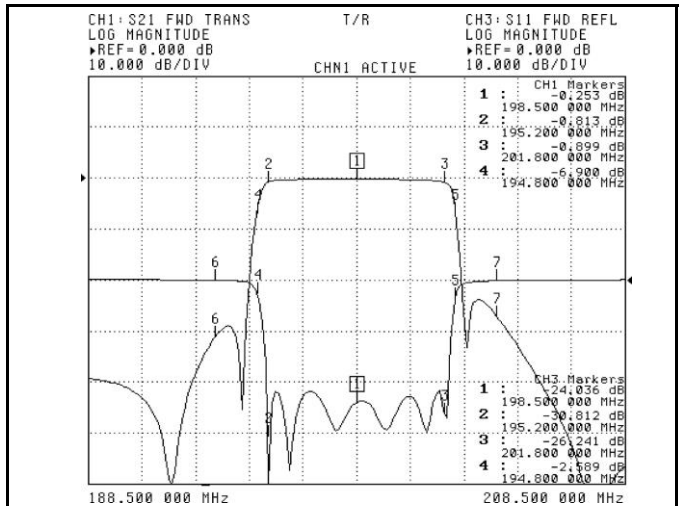
**PART NUMBER:** 1685-6  
**TITLE:** 2.5kW VHF/DTV 6 POLES BAND PASS FILTER  
 UNCRITICAL MASK



Tunable within whole VHF range.  
 For 6,7 MHz channel bandwidth.  
 DC block.  
 Different connectors on request.

<b>Connectors:</b>	EIA 1 5/8"
<b>Max operating temperature (C°):</b>	70
<b>Temperature stability (kHz/K):</b>	< 2
<b>Weight (kg):</b>	43

<b>DVB-T @ 7 MHz</b>	
Frequency Range (MHz)	170 ÷ 240
Insertion Loss (dB) @ fo	< 0.3
Insertion Loss (dB) @ fo ± 3.3 MHz	< 0.9
Attenuation @ fo ± 3.7 MHz (dB)	> 5
Attenuation @ fo ± 5.25 MHz (dB)	> 20
Attenuation @ fo ± 10.5 MHz (dB)	> 40
Maximum Amplitude Variation (dB)	0.6
Return Loss (dB)	> 26
Input/Output Impedance (Ohm)	50
Maximum Input Power (W)	2500 (RMS)
Max. Group Delay Variation (ns)	250



<b>ISDB-T @ 6 MHz</b>	
Frequency Range (MHz)	
Insertion Loss (dB) @ fo	
Insertion Loss (dB) @ fo ± 2.79 MHz	
Attenuation @ fo ± 3.15 MHz (dB)	
Attenuation @ fo ± 4.5 MHz (dB)	
Attenuation @ fo ± 9 MHz (dB)	
Maximum Amplitude Variation (dB)	
Return Loss (dB)	
Input/Output Impedance (Ohm)	
Maximum Input Power (W)	
Max. Group Delay Variation (ns)	

<b>ATSC @ 6 MHz</b>	
Frequency Range (MHz)	
Insertion Loss (dB) @ fo	
Insertion Loss (dB) @ fo ± 2.9 MHz	
Attenuation @ fo ± 3.5 MHz (dB)	
Attenuation @ fo ± 6 MHz (dB)	
Attenuation @ fo ± 9 MHz (dB)	
Maximum Amplitude Variation (dB)	
Return Loss (dB)	
Input/Output Impedance (Ohm)	
Maximum Input Power (W)	
Max. Group Delay Variation (ns)	