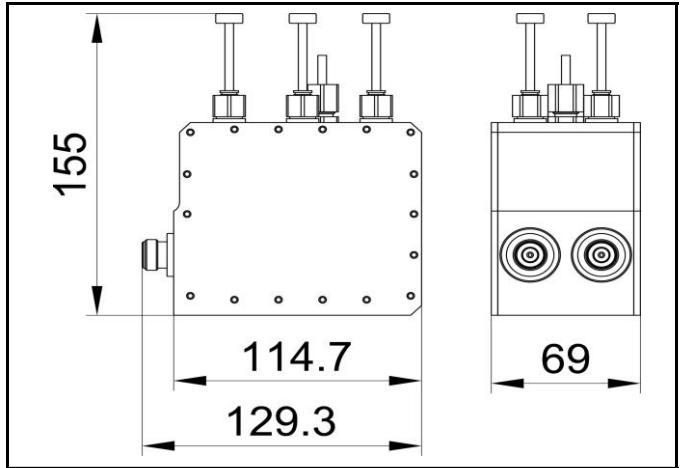
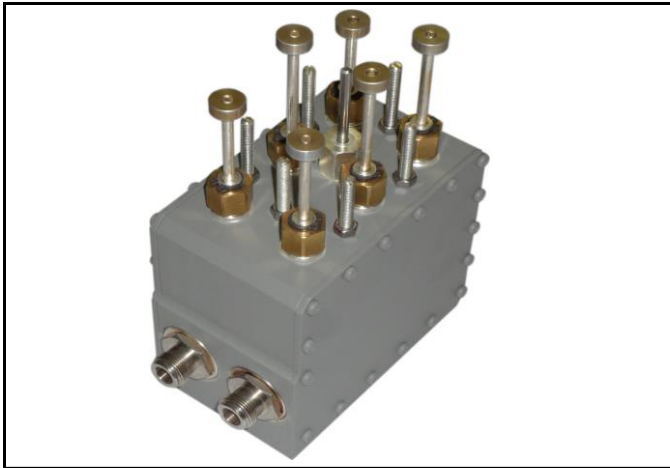


**PART NUMBER:** 1675-6-2N

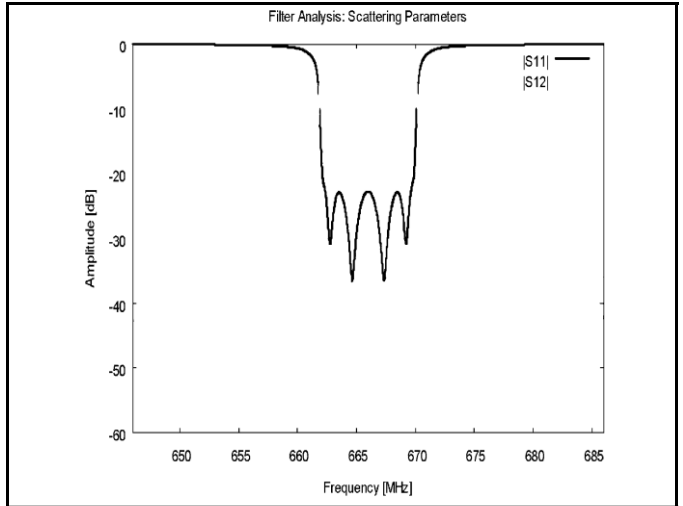
**TITLE:** 50W UHF/DTV 6 POLES BAND PASS FILTER  
DUAL CROSS COUPLING UNCRITICAL MASK



Tunable within whole UHF range.  
For 6,7,8 MHz channel bandwidth.  
DC block.  
Different connectors on request.

<b>Connectors:</b>	N
<b>Max operating temperature (C°):</b>	70
<b>Temperature stability (kHz/K):</b>	< 2
<b>Weight (kg):</b>	1

<b>DVB-T @ 8 MHz</b>	
Frequency Range (MHz)	470 ÷ 862
Insertion Loss (dB) @ fo	< 1
Insert. Loss (dB) @ fo ± 3.805 MHz	< 2
Attenuation @ fo ± 4.2 MHz (dB)	> 5
Attenuation @ fo ± 6 MHz (dB)	> 20
Attenuation @ fo ± 12 MHz (dB)	> 40
Maximum Amplitude Variation (dB)	1
Return Loss (dB)	> 26
Input/Output Impedance (Ohm)	50
Maximum Input Power (W)	50 (RMS)
Max. Group Delay Variation (ns)	250



<b>ISDB-T @ 6 MHz</b>	
Frequency Range (MHz)	470 ÷ 862
Insertion Loss (dB) @ fo	< 1,1
Insertion Loss (dB) @ fo ± 2.79 MHz	< 2,1
Attenuation @ fo ± 3.15 MHz (dB)	> 8
Attenuation @ fo ± 4.5 MHz (dB)	> 24
Attenuation @ fo ± 9 MHz (dB)	> 54
Maximum Amplitude Variation (dB)	1
Return Loss (dB)	24
Input/Output Impedance (Ohm)	50
Maximum Input Power (W)	50 (RMS)
Max. Group Delay Variation (ns)	250

<b>ATSC @ 6 MHz</b>	
Frequency Range (MHz)	470 ÷ 862
Insertion Loss (dB) @ fo	< 1,1
Insertion Loss (dB) @ fo ± 2.9 MHz	< 2,1
Attenuation @ fo ± 3.5 MHz (dB)	> 10
Attenuation @ fo ± 6 MHz (dB)	> 25
Attenuation @ fo ± 9 MHz (dB)	> 45
Maximum Amplitude Variation (dB)	1
Return Loss (dB)	26
Input/Output Impedance (Ohm)	50
Maximum Input Power (W)	50 (RMS)
Max. Group Delay Variation (ns)	200