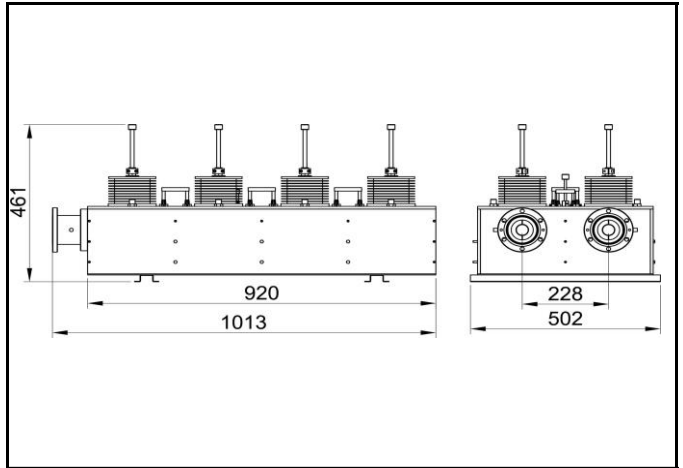
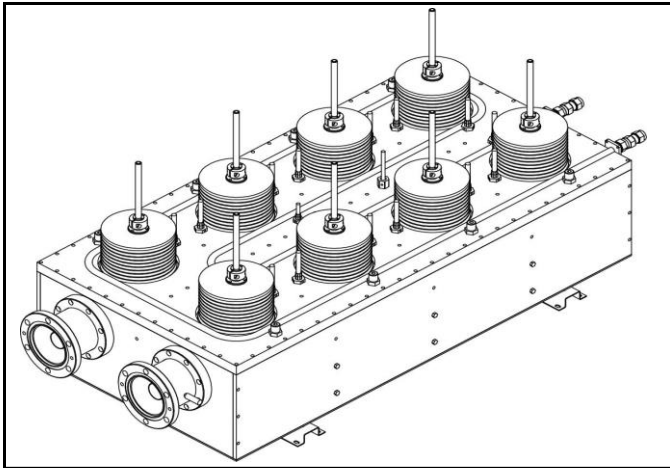


PART NUMBER: 1641-8-2N-LC

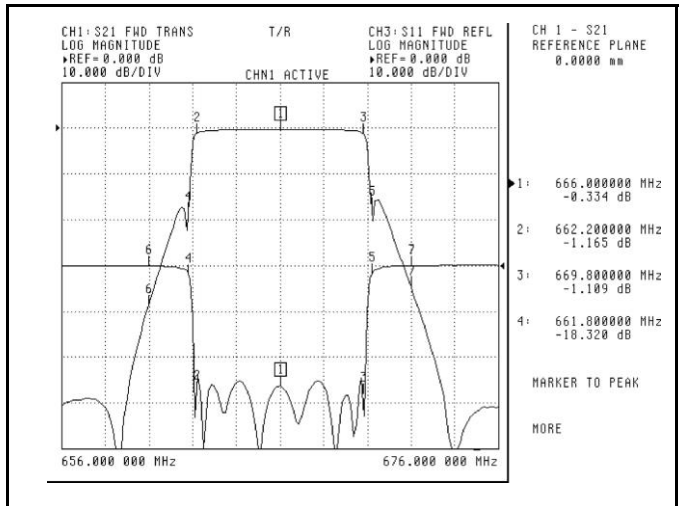
TITLE: 12kW UHF/DTV 8 POLES BAND PASS FILTER
DUAL CROSS COUPLING CRITICAL MASK (LIQUID COOLED)



Tunable within whole UHF range.
For 6,7,8 MHz channel bandwidth.
DC block.
Different connectors on request.

Connectors:	EIA 3 1/8"
Max operating temperature (C°):	70
Temperature stability (kHz/K):	< 2
Weight (kg):	65

DVB-T2 / BVB-T @ 8 MHz	
Frequency Range (MHz)	470 ÷ 862
Insertion Loss (dB) @ fo	< 0,35
I.L. (dB) @ fo ± 3.805 MHz	< 1
I.L. (dB) @ fo ± 3.885 MHz	< 1,2
Attenuation @ fo ± 4.2 MHz (dB)	> 15
Attenuation @ fo ± 6 MHz (dB)	> 40
Attenuation @ fo ± 12 MHz (dB)	> 55
Return Loss (dB)	> 24
Input/Output Impedance (Ohm)	50
Maximum Input Power (W)	12000 (RMS)
Max. Group Delay Variation (ns)	680



ISDB-T @ 6 MHz	
Frequency Range (MHz)	470 ÷ 862
Insertion Loss (dB) @ fo	< 0,4
Insertion Loss (dB) @ fo ± 2.79 MHz	< 1,1
Attenuation @ fo ± 3.15 MHz (dB)	> 15
Attenuation @ fo ± 4.5 MHz (dB)	> 31
Attenuation @ fo ± 9 MHz (dB)	> 61
Return Loss (dB)	24
Input/Output Impedance (Ohm)	50
Maximum Input Power (W)	10200 (RMS)
Max. Group Delay Variation (ns)	360

ATSC 3.0 / ATSC 1.0 @ 6 MHz	
Frequency Range (MHz)	470 ÷ 862
Insertion Loss (dB) @ fo	< 0,4
Insertion Loss (dB) @ fo ± 2.69 MHz	< 0,95
Insertion Loss (dB) @ fo ± 2.9 MHz	< 1,1
Attenuation @ fo ± 3.5 MHz (dB)	> 15
Attenuation @ fo ± 6 MHz (dB)	> 45
Attenuation @ fo ± 9 MHz (dB)	> 63
Return Loss (dB)	> 24
Input/Output Impedance (Ohm)	50
Maximum Input Power (W)	10800 (RMS)
Max. Group Delay Variation (ns)	460