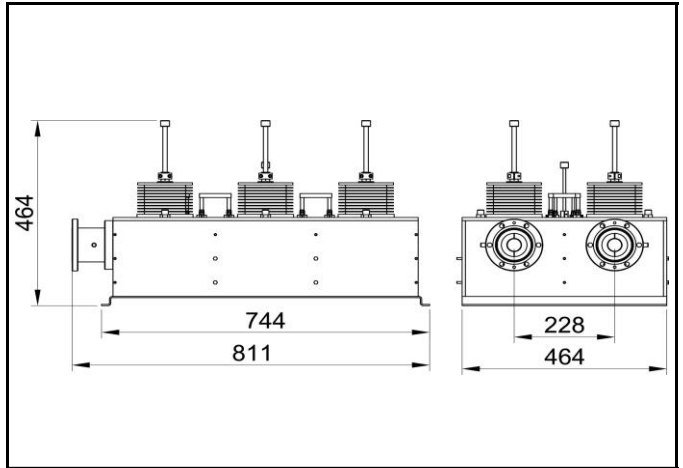
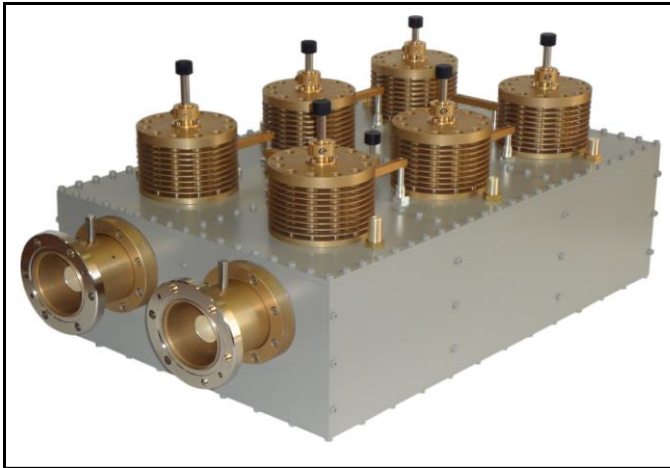


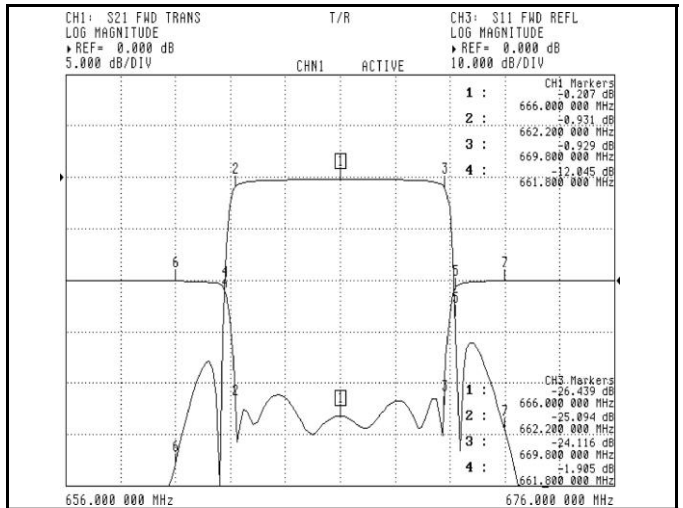
PART NUMBER: 1641-6-2N
TITLE: 5kW UHF/DTV 6 POLES BAND PASS FILTER
DUAL CROSS COUPLING UNCRITICAL MASK



Tunable within whole UHF range.
 For 6,7,8 MHz channel bandwidth.
 DC block.
 Different connectors on request.

Connectors:	EIA 3 1/8"
Max operating temperature (C°):	70
Temperature stability (kHz/K):	< 2
Weight (kg):	41

DVB-T @ 8 MHz	
Frequency Range (MHz)	470 ÷ 862
Insertion Loss (dB) @ fo	< 0.3
Insert. Loss (dB) @ fo ± 3.805 MHz	< 0.8
Attenuation @ fo ± 4.2 MHz (dB)	> 5
Attenuation @ fo ± 6 MHz (dB)	> 20
Attenuation @ fo ± 12 MHz (dB)	> 40
Maximum Amplitude Variation (dB)	0.5
Return Loss (dB)	> 26
Input/Output Impedance (Ohm)	50
Maximum Input Power (W)	5000 (RMS)
Max. Group Delay Variation (ns)	250



ISDB-T @ 6 MHz	
Frequency Range (MHz)	470 ÷ 862
Insertion Loss (dB) @ fo	< 0,35
Insertion Loss (dB) @ fo ± 2.79 MHz	< 1,1
Attenuation @ fo ± 3.15 MHz (dB)	> 7
Attenuation @ fo ± 4.5 MHz (dB)	> 22
Attenuation @ fo ± 9 MHz (dB)	> 47
Maximum Amplitude Variation (dB)	0,65
Return Loss (dB)	> 26
Input/Output Impedance (Ohm)	50
Maximum Input Power (W)	4700 (RMS)
Max. Group Delay Variation (ns)	350

ATSC @ 6 MHz	
Frequency Range (MHz)	470 ÷ 862
Insertion Loss (dB) @ fo	< 0,35
Insertion Loss (dB) @ fo ± 2.9 MHz	< 0,8
Attenuation @ fo ± 3.5 MHz (dB)	> 10
Attenuation @ fo ± 6 MHz (dB)	> 25
Attenuation @ fo ± 9 MHz (dB)	> 45
Maximum Amplitude Variation (dB)	0,65
Return Loss (dB)	> 26
Input/Output Impedance (Ohm)	50
Maximum Input Power (W)	4700 (RMS)
Max. Group Delay Variation (ns)	200