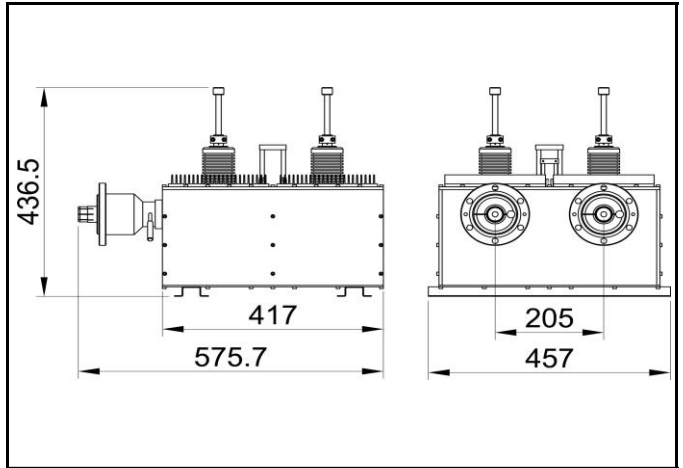
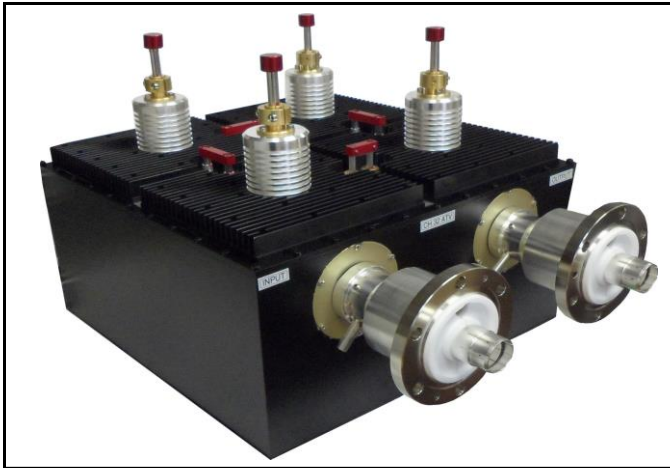


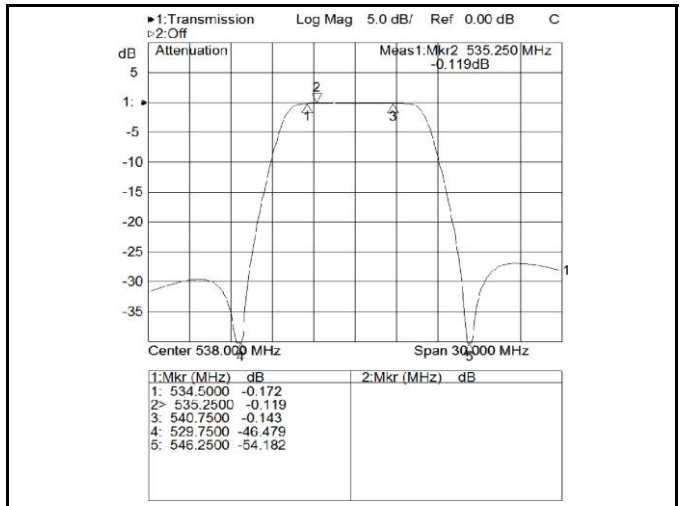
PART NUMBER: 1641-4-N
TITLE: 10kW UHF 4 POLES BAND PASS FILTER
 CROSS COUPLING



Tunable within whole UHF range.
 For 6,7,8 MHz channel bandwidth.
 DC block.
 Different connectors on request.

Connectors: EIA 3 1/8"
Temperature range (C°): -10 ÷ 50
Weight (kg): 22

ATV (@ 8 MHz) STANDARD G,K	
Frequency range (MHz)	470 ÷ 862
Bandwidth (MHz)	6 ÷ 8
Maximum output power (W)	10000
Insertion loss (dB) @ V.C.	< 0.15
Maximum amplitude variation (dB)	0.05
Atten. @ V.C. -5.5 and V.C. +11 MHz	> 30
Return loss (dB)	> 26
Input/output impedance (Ohm)	50
Maximum group delay variation (ns)	15



ATV (@ 6 MHz) STANDARD M,N	
Frequency range (MHz)	
Bandwidth (MHz)	
Maximum output power (W)	
Insertion loss (dB) @ V.C.	
Maximum amplitude variation (dB)	
Atten. @ V.C. -4.5 and V.C. +9 MHz	
Return loss (dB)	
Input/output impedance (Ohm)	
Maximum group delay variation (ns)	

