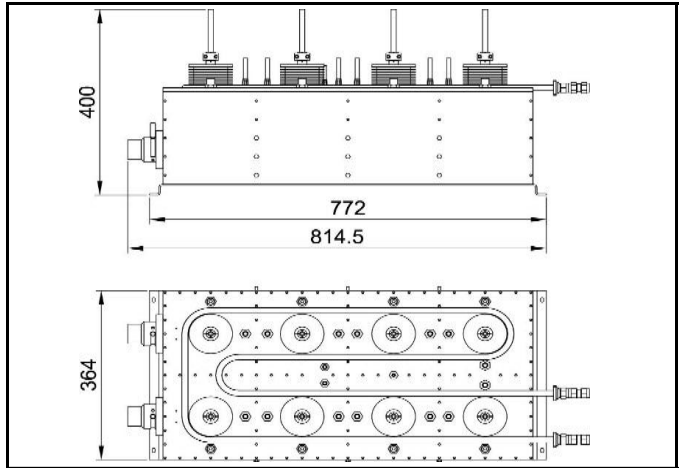
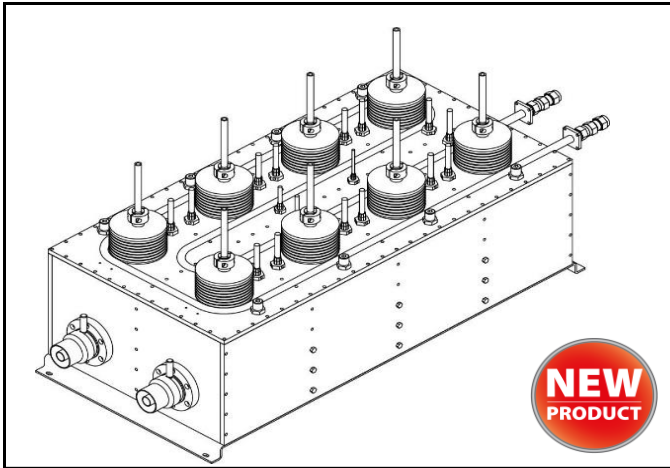


PART NUMBER: 1604-8-2N-LC

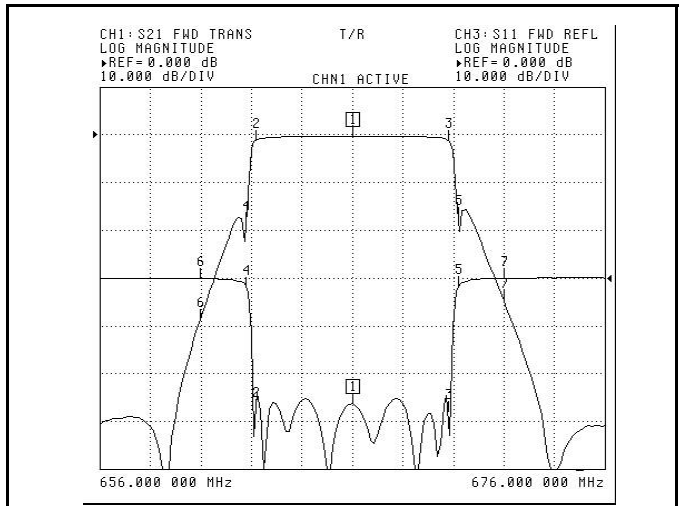
**TITLE: 6,25 kW UHF/DTV 8 POLES BAND PASS FILTER
DUAL CROSS COUPLING CRITICAL MASK (LIQUID COOLED)**



Tunable within whole UHF range.
For 6,7,8 MHz channel bandwidth.
DC block.
Different connectors on request.

Connectors:	EIA 1 5/8"
Max operating temperature (C°):	70
Temperature stability (kHz/K):	< 2
Weight (kg):	46

DVB-T2 / BVB-T @ 8 MHz	
Frequency Range (MHz)	470 ÷ 862
Insertion Loss (dB) @ fo	< 0,38
I.L. (dB) @ fo ± 3.805 MHz	< 1,65
I.L. (dB) @ fo ± 3.885 MHz	< 2,45
Attenuation @ fo ± 4.2 MHz (dB)	> 15 / > 14
Attenuation @ fo ± 6 MHz (dB)	> 30
Attenuation @ fo ± 12 MHz (dB)	> 51
Return Loss (dB)	> 23 / >25
Input/Output Impedance (Ohm)	50
Maximum Input Power (W)	6250 (RMS)
Max. Group Delay Variation (ns)	700



ISDB-T @ 6 MHz	
Frequency Range (MHz)	470 ÷ 862
Insertion Loss (dB) @ fo	< 0,5
Insertion Loss (dB) @ fo ± 2.79 MHz	< 1,3
Attenuation @ fo ± 3.15 MHz (dB)	> 15
Attenuation @ fo ± 4.5 MHz (dB)	> 31
Attenuation @ fo ± 9 MHz (dB)	> 61
Return Loss (dB)	24
Input/Output Impedance (Ohm)	50
Maximum Input Power (W)	5400 (RMS)
Max. Group Delay Variation (ns)	720

ATSC 3.0 / ATSC 1.0 @ 6 MHz	
Frequency Range (MHz)	470 ÷ 862
Insertion Loss (dB) @ fo	< 0,4
Insertion Loss (dB) @ fo ± 2.69 MHz	< 0,7
Insertion Loss (dB) @ fo ± 2.9 MHz	< 1
Attenuation @ fo ± 3.5 MHz (dB)	> 15
Attenuation @ fo ± 6 MHz (dB)	> 45
Attenuation @ fo ± 9 MHz (dB)	> 63
Return Loss (dB)	25
Input/Output Impedance (Ohm)	50
Maximum Input Power (W)	5625 (RMS)
Max. Group Delay Variation (ns)	450