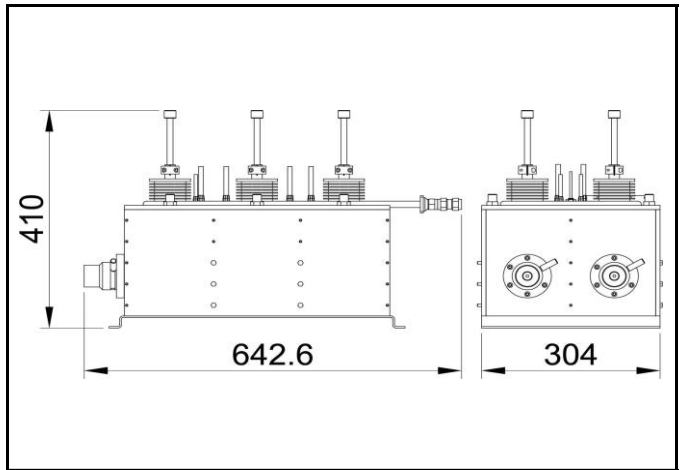
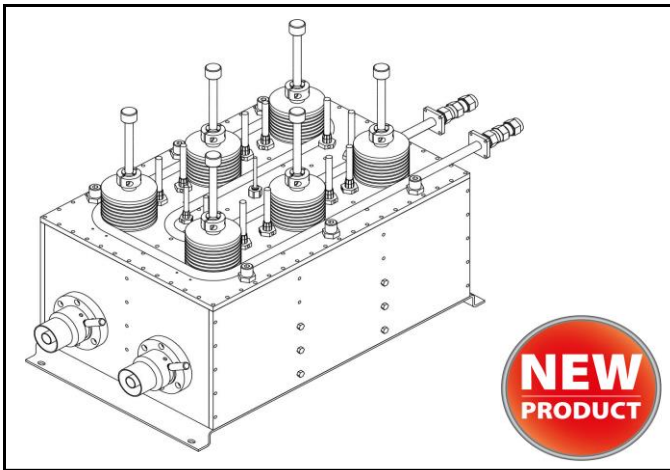


PART NUMBER: 1604-6-2N-LC

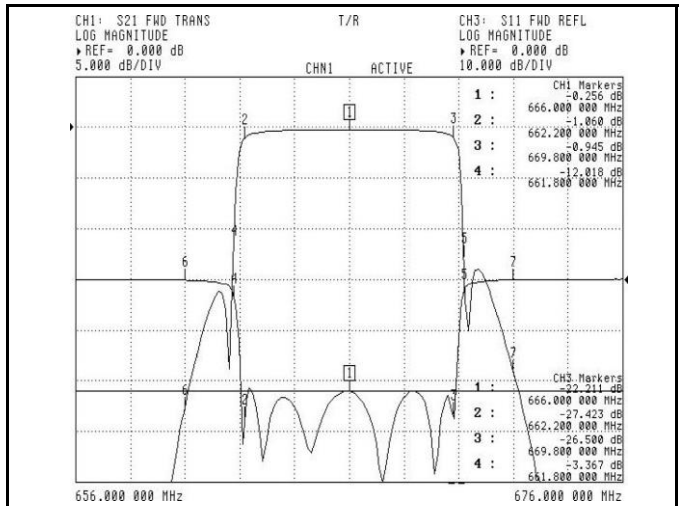
**TITLE: 6kW UHF / DTV 6 POLES BAND PASS FILTER
DUAL CROSS COUPLING UNCRITICAL MASK, LIQUID COOLED**



Tunable within whole UHF range.
For 6,7,8 MHz channel bandwidth.
DC block.
Different connectors on request.

Connectors:	EIA 1 5/8"
Max operating temperature (C°):	70
Temperature stability (kHz/K):	< 2
Weight (kg):	28

DVB-T2 / BVB-T @ 8 MHz	
Frequency Range (MHz)	470 ÷ 862
Insertion Loss (dB) @ fo	< 0,3
<i>I.L. (dB) @ fo ± 3.805 MHz</i>	< 1,35
<i>I.L. (dB) @ fo ± 3.885 MHz</i>	< 1,15
<i>Attenuation @ fo ± 4.2 MHz (dB)</i>	> 5 / >4
<i>Attenuation @ fo ± 6 MHz (dB)</i>	> 20
<i>Attenuation @ fo ± 12 MHz (dB)</i>	> 41
<i>Return Loss (dB)</i>	> 23 / >25
Input/Output Impedance (Ohm)	50
Maximum Input Power (W)	6000 (RMS)
Max. Group Delay Variation (ns)	350 / 300



ISDB-T @ 6 MHz	
Frequency Range (MHz)	470 ÷ 862
Insertion Loss (dB) @ fo	< 0,35
<i>Insertion Loss (dB) @ fo ± 2.79 MHz</i>	< 1,1
<i>Attenuation @ fo ± 3.15 MHz (dB)</i>	> 8
<i>Attenuation @ fo ± 4.5 MHz (dB)</i>	> 24
<i>Attenuation @ fo ± 9 MHz (dB)</i>	> 54
<i>Return Loss (dB)</i>	24
Input/Output Impedance (Ohm)	50
Maximum Input Power (W)	4900 (RMS)
Max. Group Delay Variation (ns)	360

ATSC 3.0 / ATSC 1.0 @ 6 MHz	
Frequency Range (MHz)	470 ÷ 862
Insertion Loss (dB) @ fo	< 0,4
<i>Insertion Loss (dB) @ fo ± 2.69 MHz</i>	< 0,55
<i>Insertion Loss (dB) @ fo ± 2.9 MHz</i>	< 0,8
<i>Attenuation @ fo ± 3.5 MHz (dB)</i>	> 6 / > 10
<i>Attenuation @ fo ± 6 MHz (dB)</i>	> 29
<i>Attenuation @ fo ± 9 MHz (dB)</i>	> 63
<i>Return Loss (dB)</i>	26
Input/Output Impedance (Ohm)	50
Maximum Input Power (W)	5400 (RMS)
Max. Group Delay Variation (ns)	320 / 240