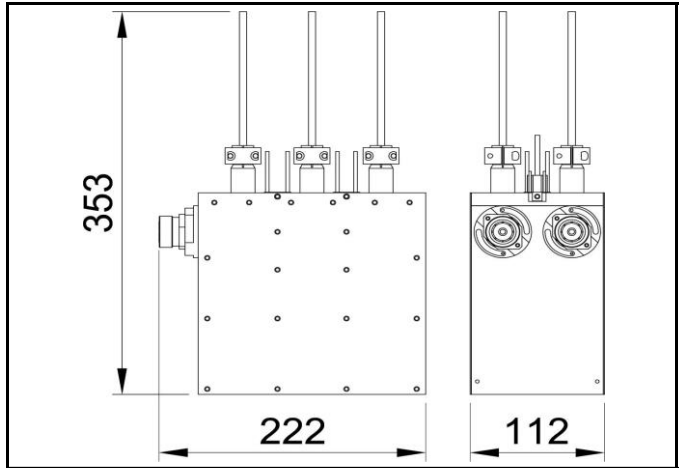


PART NUMBER: 1468-6-2N

TITLE:

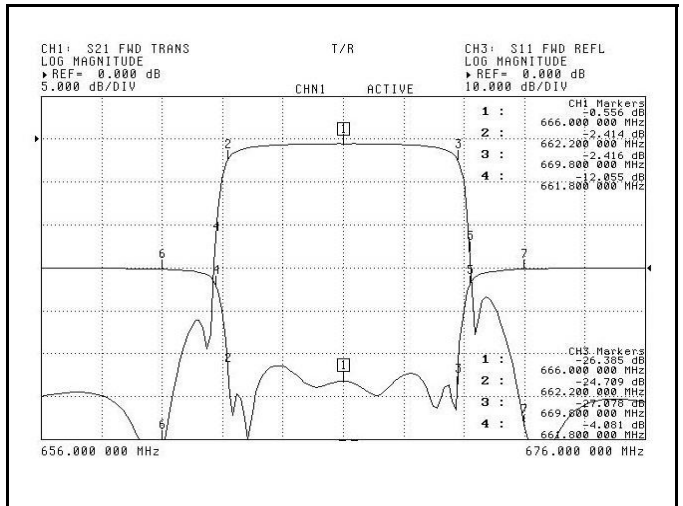
**300W UHF/DTV 6 POLES BAND PASS FILTER
DUAL CROSS COUPLING UNCRITICAL MASK**



Tunable within whole UHF range.
For 6,7,8 MHz channel bandwidth.
DC block.
Different connectors on request.

Connectors:	DIN 7/16
Max operating temperature (C°):	70
Temperature stability (kHz/K):	< 2
Weight (kg):	7

DVB-T2 / BVB-T @ 8 MHz	
Frequency Range (MHz)	470 ÷ 862
Insertion Loss (dB) @ fo	< 0,6
<i>I.L. (dB) @ fo ± 3.805 MHz</i>	< 1,9
I.L. (dB) @ fo ± 3.885 MHz	< 1,7
Attenuation @ fo ± 4.2 MHz (dB)	> 5 / >4
Attenuation @ fo ± 6 MHz (dB)	> 20
Attenuation @ fo ± 12 MHz (dB)	> 41
Return Loss (dB)	> 26
Input/Output Impedance (Ohm)	50
Maximum Input Power (W)	300 (RMS)
Max. Group Delay Variation (ns)	330 / 360



ISDB-T @ 6 MHz	
Frequency Range (MHz)	470 ÷ 862
Insertion Loss (dB) @ fo	< 0,75
Insertion Loss (dB) @ fo ± 2.79 MHz	< 1,8
Attenuation @ fo ± 3.15 MHz (dB)	> 8
Attenuation @ fo ± 4.5 MHz (dB)	> 24
Attenuation @ fo ± 9 MHz (dB)	> 54
Return Loss (dB)	24
Input/Output Impedance (Ohm)	50
Maximum Input Power (W)	275 (RMS)
Max. Group Delay Variation (ns)	350

ATSC 3.0 / ATSC 1.0 @ 6 MHz	
Frequency Range (MHz)	470 ÷ 862
Insertion Loss (dB) @ fo	< 0,75
Insertion Loss (dB) @ fo ± 2.69 MHz	< 1,05
<i>Insertion Loss (dB) @ fo ± 2.9 MHz</i>	< 1,75
Attenuation @ fo ± 3.5 MHz (dB)	> 6 / > 10
Attenuation @ fo ± 6 MHz (dB)	> 29
Attenuation @ fo ± 9 MHz (dB)	> 63
Return Loss (dB)	26
Input/Output Impedance (Ohm)	50
Maximum Input Power (W)	275 (RMS)
Max. Group Delay Variation (ns)	240 / 320