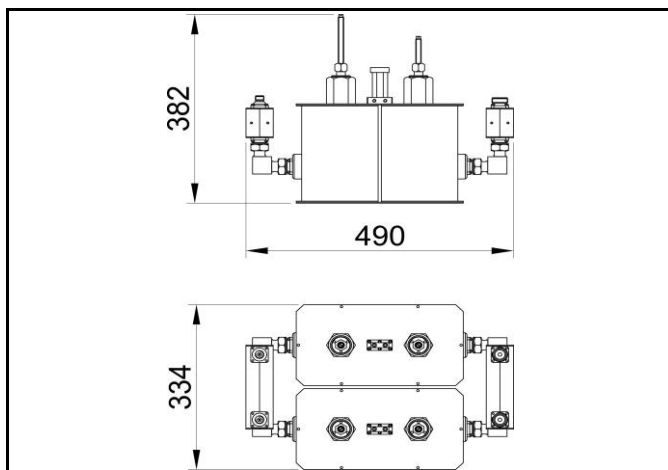
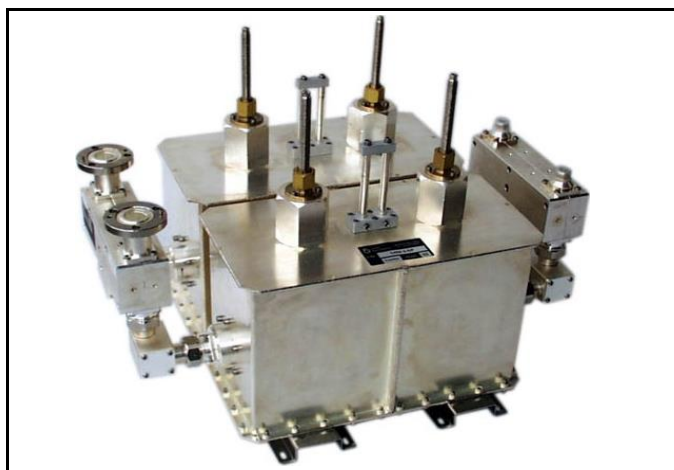


PART NUMBER: 1456-2-DP
TITLE: 2.5kW AUDIO/VIDEO COMBINER
 (STEREO)



Tunable within whole UHF range.
 For 6,7,8 MHz channel bandwidth.
 Different connectors on request.

Audio connection	N female
Video and output connection	DIN 7/16
Temperature range (C°):	-10 ÷ 50
Weight (kg):	25

ELECTRICAL CHARACTERISTICS	
Frequency range (MHz)	470 ÷ 862
Sound	Stereo
Bandwidth (MHz)	7 ÷ 8
Video insertion loss (dB) @ V.C.	< 0.1
Video insertion loss @ V.C. + 4.5 MHz	< 0.15
Video insertion loss @ V.C. + 5 MHz	< 2
Insertion loss (dB) @ S.C.	< 1.5
Video input return loss (dB)	> 28
Sound input return loss (dB)	> 30
Input/output impedance (Ohm)	50
Insulation Audio>Video (dB)	> 30
Insulation Video>Audio (dB)	> 50
Maximum vision power (W)	2500
Maximum sound power (W)	250
Max. group delay variation (ns)	230

