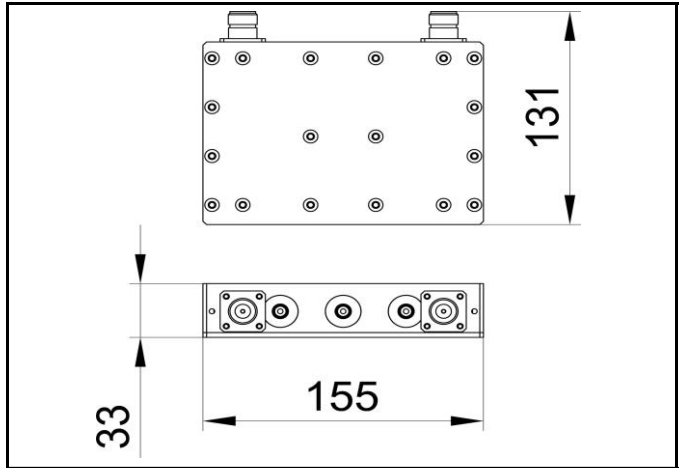


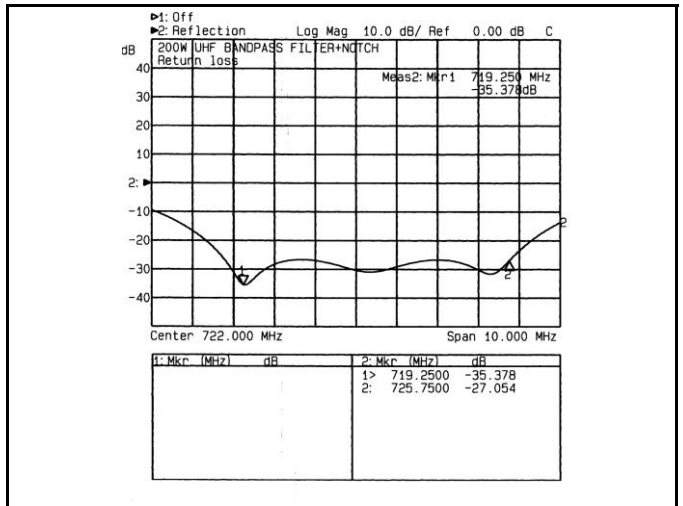
PART NUMBER: 1425
TITLE: 200W UHF 3 POLES BAND PASS FILTER +2 NOTCHES



Tunable within whole UHF range.
 For 6,7,8 MHz channel bandwidth.
 DC block.
 Different connectors on request.

Connectors:	N
Temperature range (C°):	-10 ÷ 50
Weight (kg):	1.2

ATV (@ 8 MHz) STANDARD G,K	
Frequency range (MHz)	470 ÷ 862
Bandwidth (MHz)	6 ÷ 8
Maximum output power (W)	200
Insertion loss (dB) @ V.C.	< 0.65
Maximum amplitude variation (dB)	0.05
Atten. @ V.C. -5.5 and V.C. +11 MHz	> 25
Return loss (dB)	> 26
Input/output impedance (Ohm)	50
Maximum group delay variation (ns)	10



ATV (@ 6 MHz) STANDARD M,N	
Frequency range (MHz)	
Bandwidth (MHz)	
Maximum output power (W)	
Insertion loss (dB) @ V.C.	
Maximum amplitude variation (dB)	
Atten. @ V.C. -4.5 and V.C. +9 MHz	
Return loss (dB)	
Input/output impedance (Ohm)	
Maximum group delay variation (ns)	

