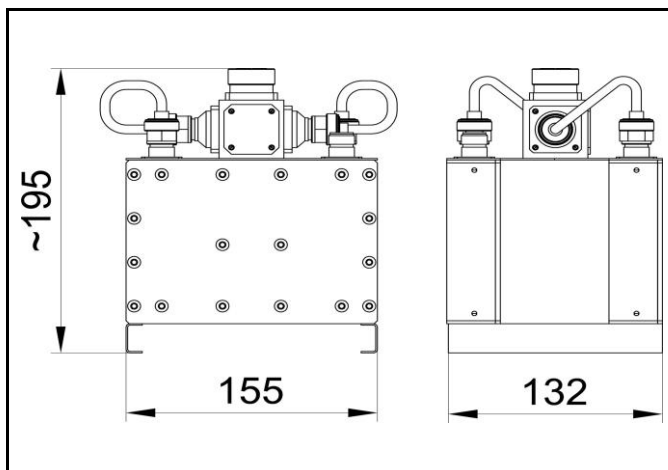


PART NUMBER: **1425-3-S2**
TITLE: **2x200W STAR COMBINER
 3 CAVITIES BAND PASS FILTER**



Tunable within whole UHF range.
 For 6,7,8 MHz channel bandwidth.
 Different connectors on request.



Input Connectors: N
Output Connectors: DIN 7/16
Temperature range (C°): -10 ÷ 50
Weight (kg): 2.5

DVB-T @ 8 MHz	
Frequency range (MHz)	470 ÷ 862
Insertion loss (dB) @ V.C.	< 0.8
Return loss by channels (dB)	> 24
Input/Output Impedance (Ohm)	50
Min. dist. between channels (dB)	2 guard channels
Insulation between channels (dB)	> 30
Maximum channel input power (W)	200
Maximum output power (W)	400
Maximum group delay variation (ns)	15

