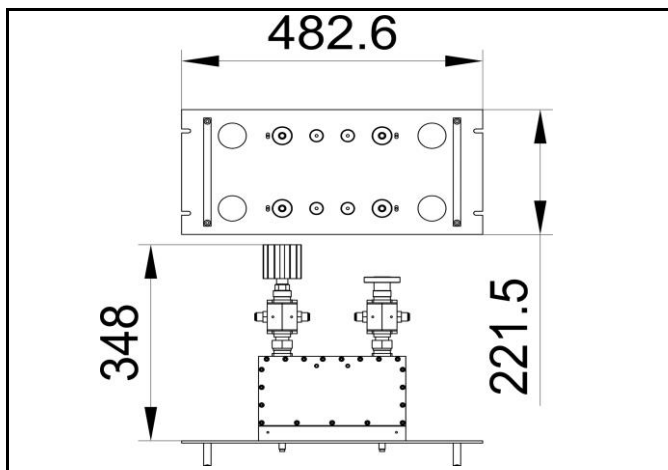


**PART NUMBER: 1423-DP-R**  
**TITLE: 2 INPUTS UHF ATV/DTV DOUBLE BRIDGE COMBINER RACK VERSION**



Tunable within whole UHF range.  
 For 6,7,8 MHz channel bandwidth.  
 Different connectors on request.



<b>Input narrowband:</b>	DIN 7/16
<b>Input broadband:</b>	DIN 7/16
<b>Output:</b>	EIA 7/8"
<b>Temperature range (C°):</b>	-10 ÷ 50
<b>Weight (kg):</b>	14

<b>DVB-T @ 8 MHz</b>	
Frequency range (MHz)	470 ÷ 862
Bandwidth (MHz)	6 ÷ 8
Narrowband insertion loss (dB)	< 0.45
Broadband insertion loss (dB)	< 0.2 max
Narrowband return loss (dB)	> 26
Broadband return loss (dB)	> 26
Input/output impedance (Ohm)	50
Min. distance between channels	1 guard channel
Insulation NB>BB (dB)	> 40
Insulation BB>NB (dB)	> 40
Narrowband maximum power (W)	1000 ATV-500 DTV
Maximum output power (W)	3000 ATV-2000 DTV
Max. group delay variation (ns)	20

