

PART NUMBER:

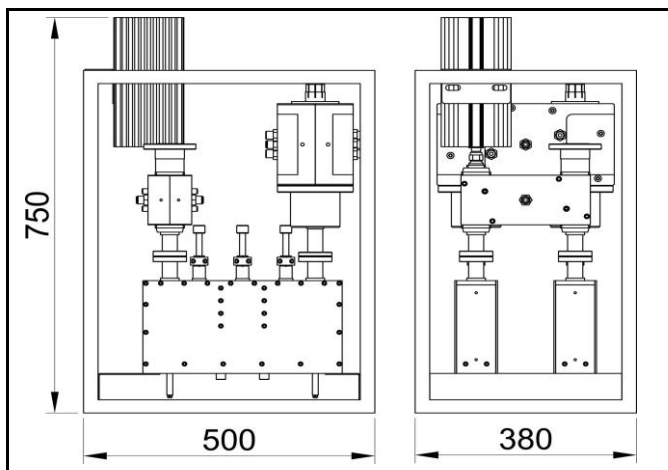
1421-3-DP1472

TITLE:

5+15kW UHF CONSTANT IMPEDANCE COMBINER



Tunable within whole UHF range.
For 6,7,8 MHz channel bandwidth.
Different connectors on request.



Input narrowband:	EIA 1 5/8"
Input broadband:	EIA 3 1/8"
Output:	EIA 3 1/8"
Temperature range (C°):	-10 ÷ 50
Weight (kg):	55

DVB-T @ 8 MHz	
Frequency range (MHz)	470 ÷ 862
Bandwidth (MHz)	6 ÷ 8
Narrowband insertion loss (dB)	< 0.3
Broadband insertion loss (dB)	< 0.1
Narrowband return loss (dB)	> 26
Broadband return loss (dB)	> 26
Input/output impedance (Ohm)	50
Min. distance between channels	1 guard channel
Insulation NB>BB (dB)	> 40
Insulation BB>NB (dB)	> 40
Narrowband maximum power (W)	4000 ATV-2000 DTV
Maximum output power (W)	30000 ATV-20000 DTV
Max. group delay variation (ns)	20

