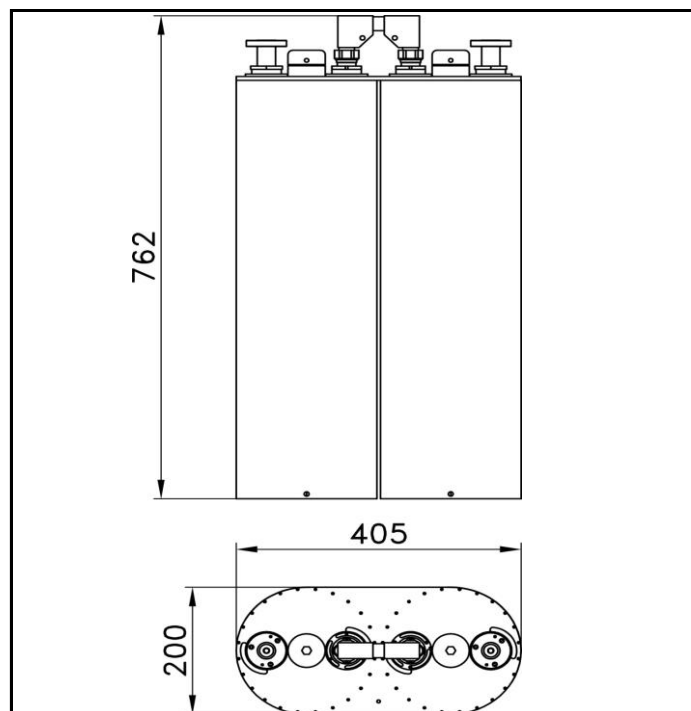
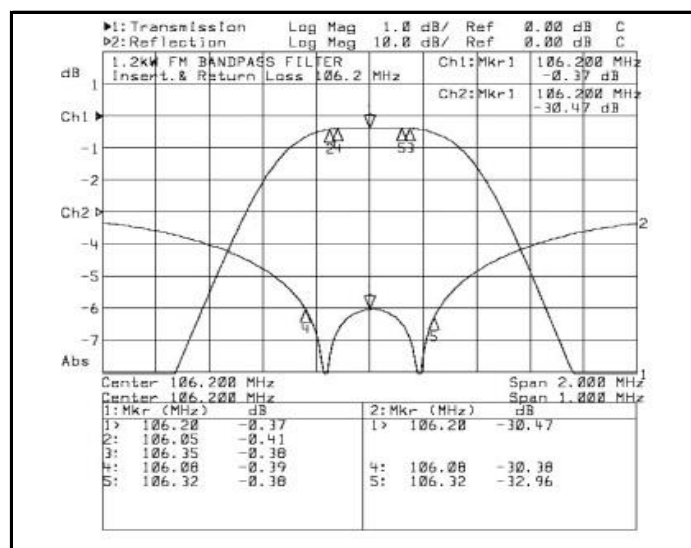
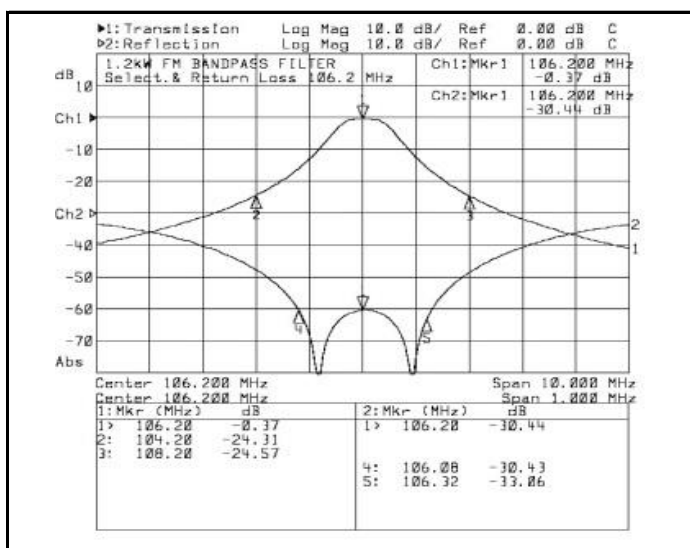


**PART NUMBER:** 20071

**TITLE:** 1.2kW FM BAND PASS FILTER (DOUBLE CAVITY)



MECHANICAL CHARACTERISTICS	
Connections (*)	DIN 7/16
Temperature range (C°)	-10 ÷ 50
Weight (kg)	18



ELECTRICAL CHARACTERISTICS	
Frequency range (MHz)	87.5 ÷ 108
Maximum input power (W)	1200
Insertion loss (dB) @ fo	< 0.40
Insertion loss (dB) @ fo ± 150 kHz	< 0.50
Selectivity (dB) @ fo ± 2 MHz	> 24
Return loss (dB)	> 26
Input/output impedance (Ohm)	50

(\*) Different connectors on request.