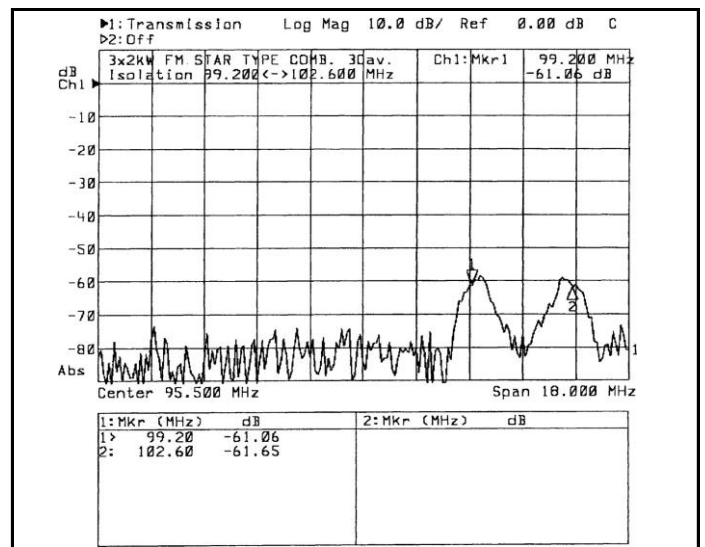
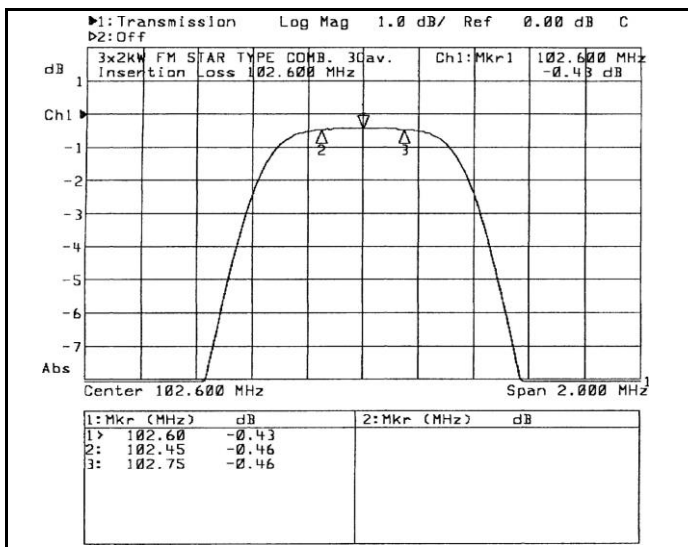
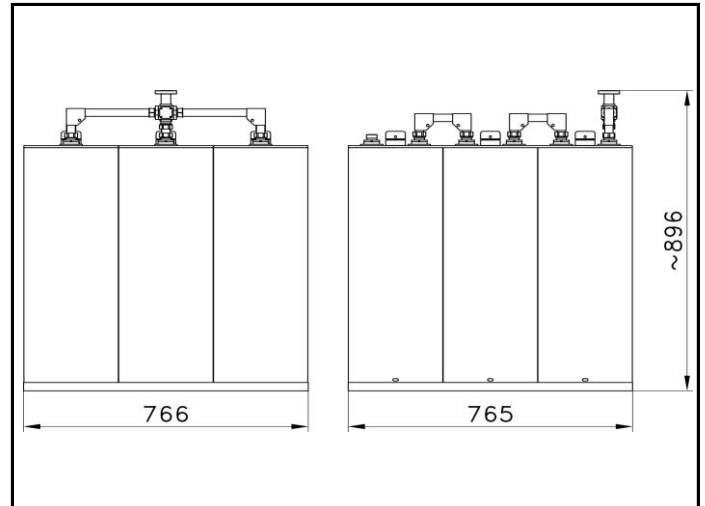


PART NUMBER: 20011/3-S3

TITLE: 3x2kW TRIPLE CAVITY BAND PASS FILTER STAR COMBINER



ELECTRICAL CHARACTERISTICS	
Frequency Range (MHz)	87.5 ÷ 108
Insertion Loss by channels (dB)	< 0.6
Return loss by channels (dB)	> 26
Input/output impedance (Ohm)	50
Min. distance between channels (MHz)	1.2
Insulation between channels (dB)	> 30
Maximum channel input power (W)	2000
Maximum output power (W)	6000

MECHANICAL CHARACTERISTICS	
Input connection	DIN 7/16
Output connection	EIA 7/8"
Temperature range (C°)	-10 ÷ 50
Weight (kg)	110

(*) Different connectors on request.

