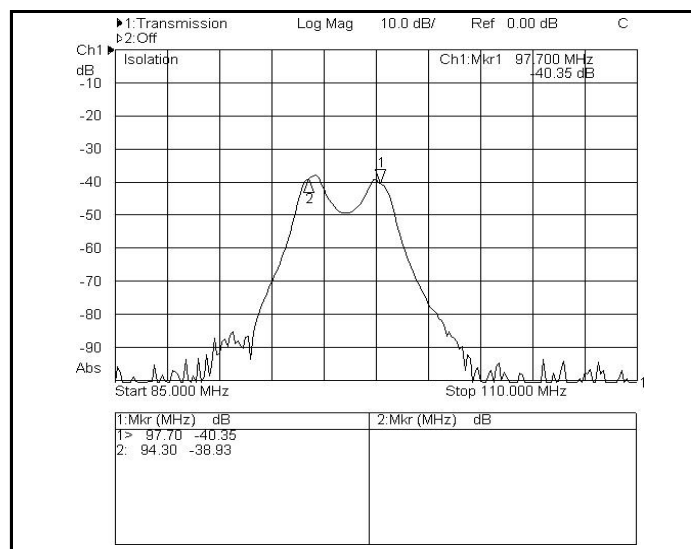
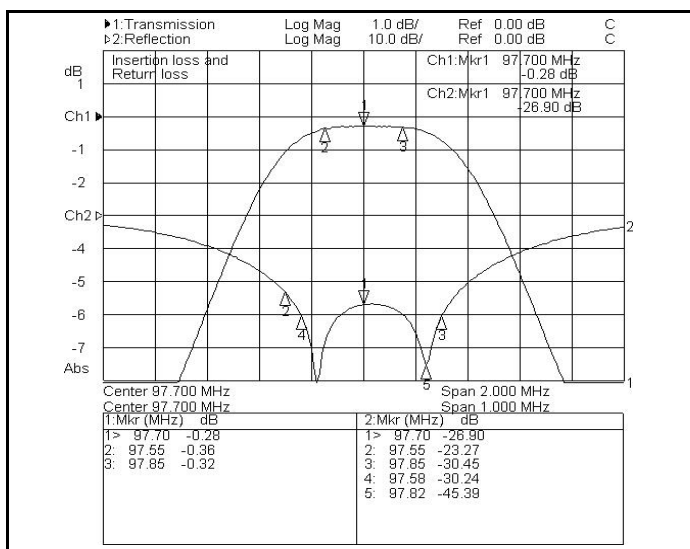
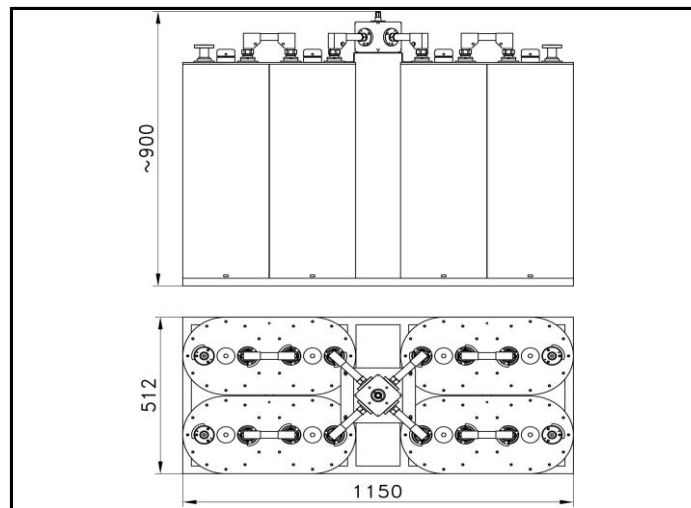


**PART NUMBER:** 20011-S4

**TITLE:** 4x2kW DOUBLE CAVITY BAND PASS FILTER STAR COMBINER



ELECTRICAL CHARACTERISTICS	
Frequency Range (MHz)	87.5 ÷ 108
Insertion Loss by channels (dB)	< 0.4
Return loss by channels (dB)	> 26
Input/output impedance (Ohm)	50
Min. distance between channels (MHz)	2
Insulation between channels (dB)	> 30
Maximum channel input power (W)	2000
Maximum output power (W)	8000

MECHANICAL CHARACTERISTICS	
Input connection	DIN 7/16
Output connection	EIA 1 5/8"
Temperature range (C°)	-10 ÷ 50
Weight (kg)	91

(\*) Different connectors on request.

