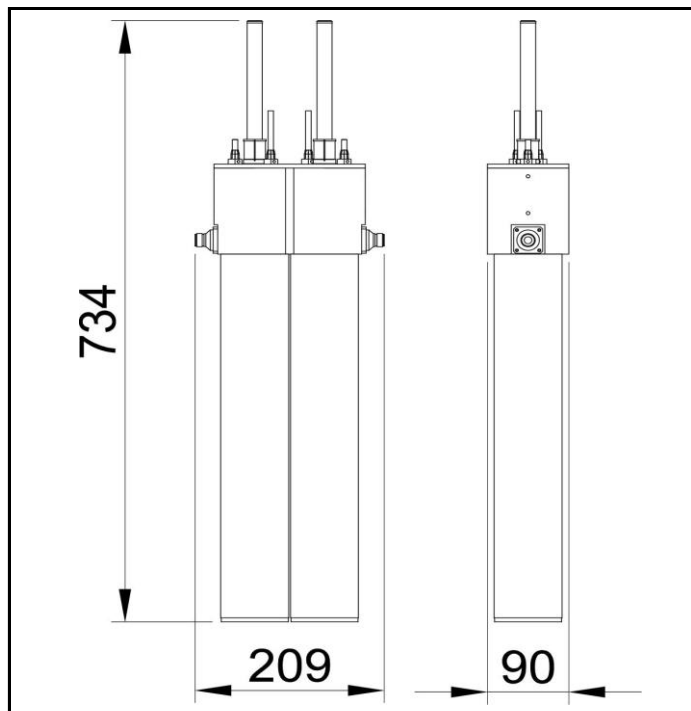
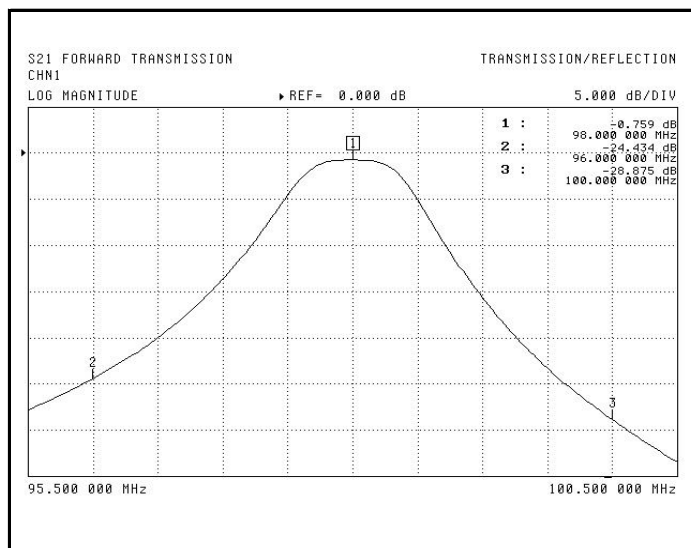
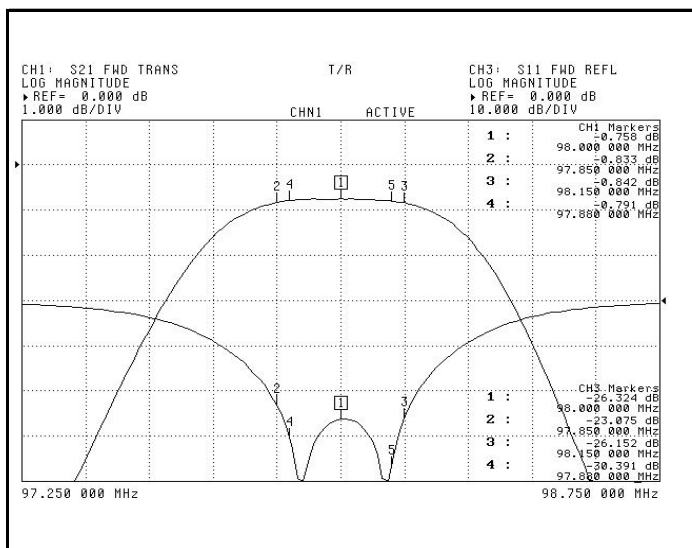


PART NUMBER: 1633

TITLE: 100W FM BAND PASS FILTER (DOUBLE CAVITY)



MECHANICAL CHARACTERISTICS	
Connections (*)	N
Temperature range (C°)	-10 ÷ 50
Weight (kg)	4.5



ELECTRICAL CHARACTERISTIC	
Frequency range (MHz)	87.5 ÷ 108
Maximum input power (W)	100
Insertion loss (dB) @ fo	< 0.95
Insertion loss (dB) @ fo ± 150 kHz	< 1.05
Selectivity (dB) @ fo ± 2 MHz	> 24
Return loss (dB)	> 26
Input/output impedance (Ohm)	50

(*) Different connectors on request.