

ELBOWS

Delta Meccanica manufactures many elbow types to respond to the different applications customers may encounter during installation.

Flanged elbows : are female , and both flanges swivel.

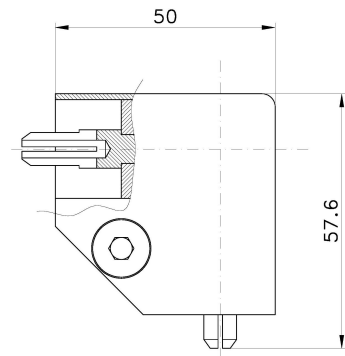
Unflanged elbows: connections are male , so it's possible to connect directly the rigid line , without adding other coupling elements. This device cannot be used for outdoor installation.

Unflanged-Flanged Elbows : this device has a side unflanged , where it's possible a direct connection with the rigid line , the other one is flanged. This is a very useful and cheap solution. This device cannot be used for outdoor installation.

Unflanged Elbows

Product description **Unflanged elbow**

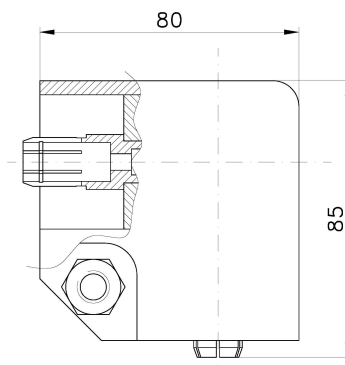
Part Number	1167
Impedance [Ohm]	50
Connectors	EIA 7/8"
Weight [kg.]	0.12



Overall dimensions [WxDxH] [mm.] 58x25x58

Product description **Unflanged elbow**

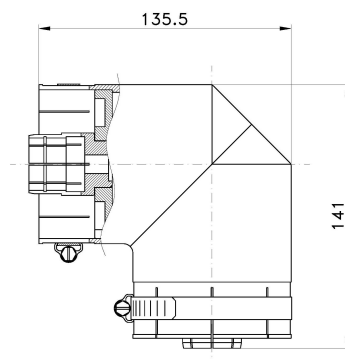
Part Number	1169
Impedance [Ohm]	50
Connectors	EIA 1 5/8"
Weight [kg.]	0.45



Overall dimensions [WxDxH] [mm.] 85x50x85

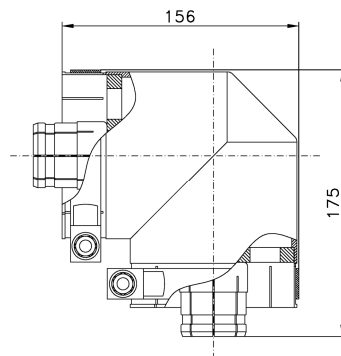
Product description **Unflanged elbow**

Part Number	1127-U
Impedance [Ohm]	50
Connectors	EIA 3 1/8"
Weight [kg.]	1.7



Overall dimensions [WxDxH] [mm.] 141x85x141

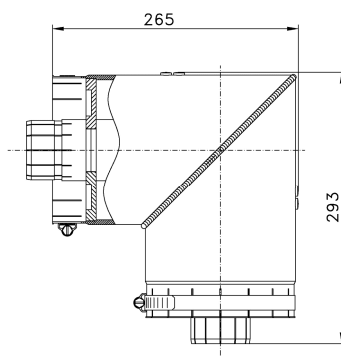
Product description **Unflanged elbow**



Part Number	1314
Impedance [Ohm]	50
Connectors	EIA 4 1/2"
Weight [kg.]	3.9

Overall dimensions [WxDxH] [mm.] 175x110x175

Product description **Unflanged elbow**



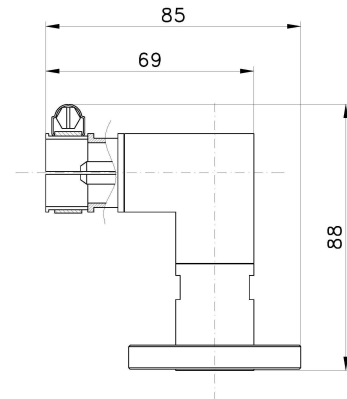
Part Number	1643
Impedance [Ohm]	50
Connectors	EIA 6 1/8"
Weight [kg.]	8

Overall dimensions [WxDxH] [mm.] 293x162x293

Flanged/Unflanged Elbows

Product description **Flanged/Unflanged elbow**

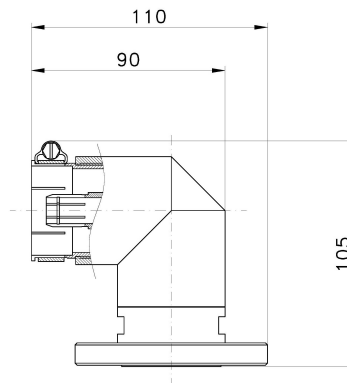
Part Number	1007
Impedance [Ohm]	50
Connectors	EIA 7/8"
Weight [kg.]	0.45



Overall dimensions [WxDxH] [mm.] 85x58x88

Product description **Flanged/Unflanged elbow**

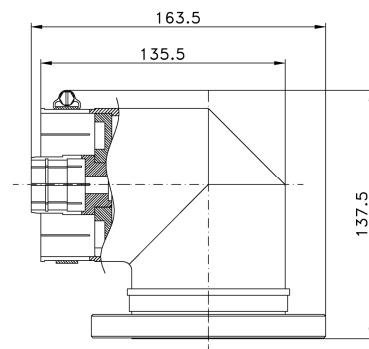
Part Number	1000
Impedance [Ohm]	50
Connectors	EIA 1 5/8"
Weight [kg.]	0.9



Overall dimensions [WxDxH] [mm.] 110x90x105

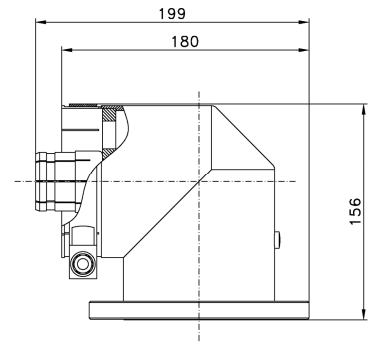
Product description **Flanged/Unflanged elbow**

Part Number	1127-FU
Impedance [Ohm]	50
Connectors	EIA 3 1/8"
Weight [kg.]	1.9



Overall dimensions [WxDxH] [mm.] 163.5x130x137.5

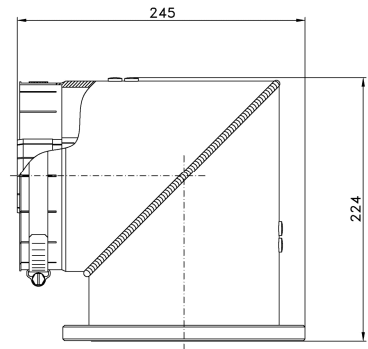
Product description **Flanged/Unflanged elbow**



Part Number	1315
Impedance [Ohm]	50
Connectors	EIA 4 1/2"
Weight [kg.]	3.5

Overall dimensions [WxDxH] [mm.] 199x160x156

Product description **Flanged/Unflanged elbow**



Part Number	1721
Impedance [Ohm]	50
Connectors	EIA 6 1/8"
Weight [kg.]	7

Overall dimensions [WxDxH] [mm.] 245x206.5x224

Flanged Elbows

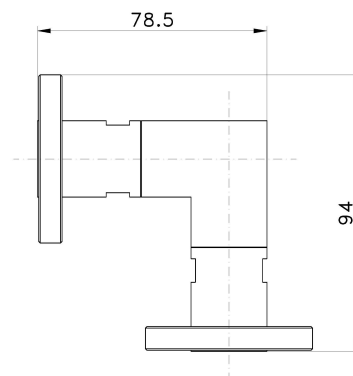
Product description **Flanged elbow**

Part Number **1033**

Impedance [Ohm] 50

Connectors EIA 7/8"

Weight [kg.] 0.5



Overall dimensions [WxDxH] [mm.] 94x58x94

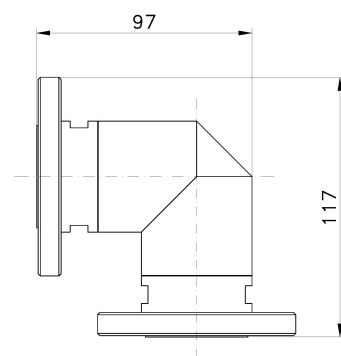
Product description **Flanged elbow**

Part Number **1028**

Impedance [Ohm] 50

Connectors EIA 1 5/8"

Weight [kg.] 1.05



Overall dimensions [WxDxH] [mm.] 117x90x117

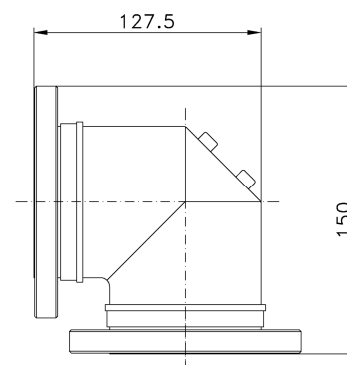
Product description **Flanged elbow**

Part Number **1083**

Impedance [Ohm] 50

Connectors EIA 3 1/8"

Weight [kg.] 2.3



Overall dimensions [WxDxH] [mm.] 150x130x150

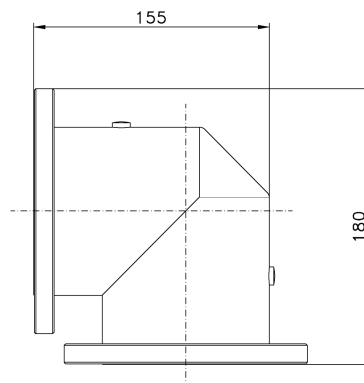
Product description **Flanged elbow**

Part Number **1399**

Impedance [Ohm] 50

Connectors EIA 4 1/16"

Weight [kg.] 3.5



Overall dimensions [WxDxH] [mm.] 180x160x180

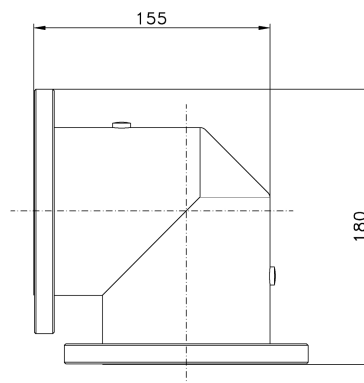
Product description **Flanged elbow**

Part Number **1313**

Impedance [Ohm] 50

Connectors EIA 4 1/8"

Weight [kg.] 3.5



Overall dimensions [WxDxH] [mm.] 180x160x180

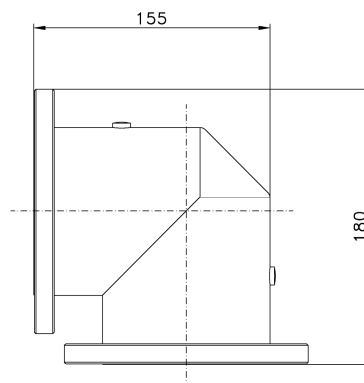
Product description **Flanged elbow**

Part Number **1312**

Impedance [Ohm] 50

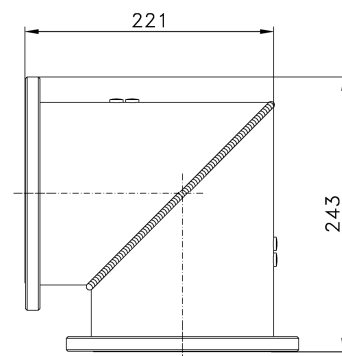
Connectors EIA 4 1/2"

Weight [kg.] 3.6



Overall dimensions [WxDxH] [mm.] 180x160x180

Product description **Flanged elbow**



Part Number	1642
Impedance [Ohm]	50
Connectors	EIA 6 1/8"
Weight [kg.]	5.2

Overall dimensions [WxDxH] [mm.] 243x206.5x243