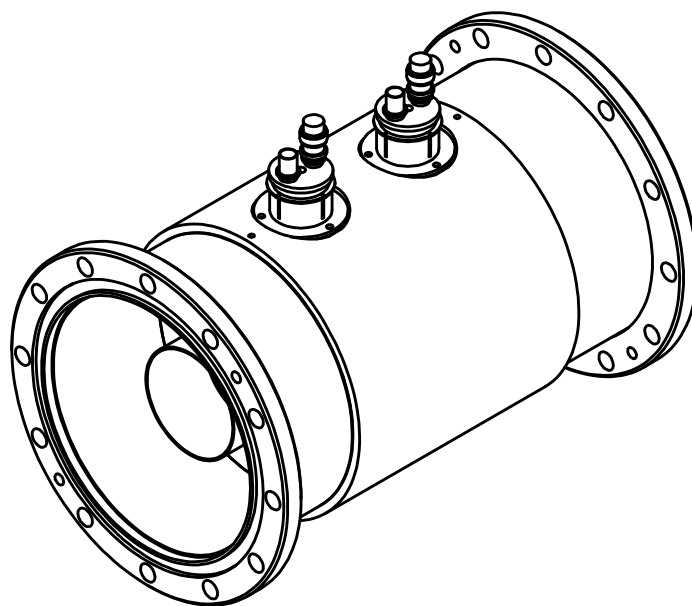
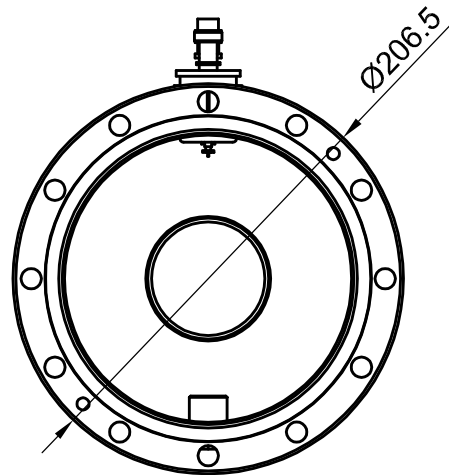
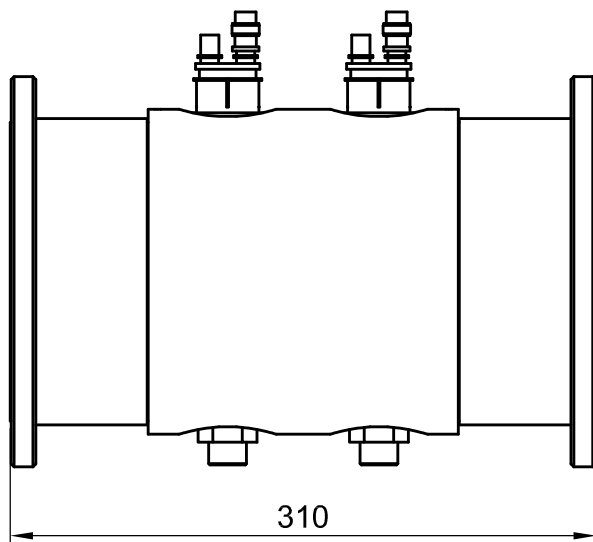


In term of law DELTA MECCANICA s.r.l. claims the property of this drawing. Any reproduction in any form without our authorization is forbidden  
 This document cannot be considered to be a contractual specification. The informations given herein may be modified without notice due to product improvement or further development.



Electrical Characteristics		
Frequency Range	FM Band	87.5 + 108 MHz
	VHF BIII	170 + 230 MHz
	UHF BIV-V	470 + 862 MHz
Insertion Loss by Channels	< 0.05 dB	
Return Loss by ch. (VSWR)	> 30 dB (≤ 1.06)	
Input/Output Impedance	50 Ω	
Coupling Factor	-35 + -58dB (*)	
Amplitude variation	FM Band	± 1 dB
	VHF BIII	± 1.5 dB
	UHF BIV-V	± 3 dB
Directivity	> 30 dB	

(\*) To be define at order confirmation

dwg. Adami	quality control	date 23/04/14	scale 1:4		A4 210X297	sheet 1/1
 DELTA Meccanica s.r.l.	TITLE 6 1/8" DIRECTIONAL COUPLER WITH TWO BNC PROBE					REV.
	CODE 1659-02-BNC					