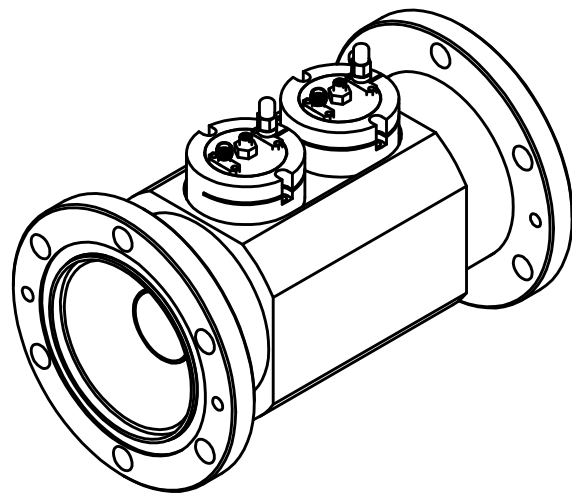
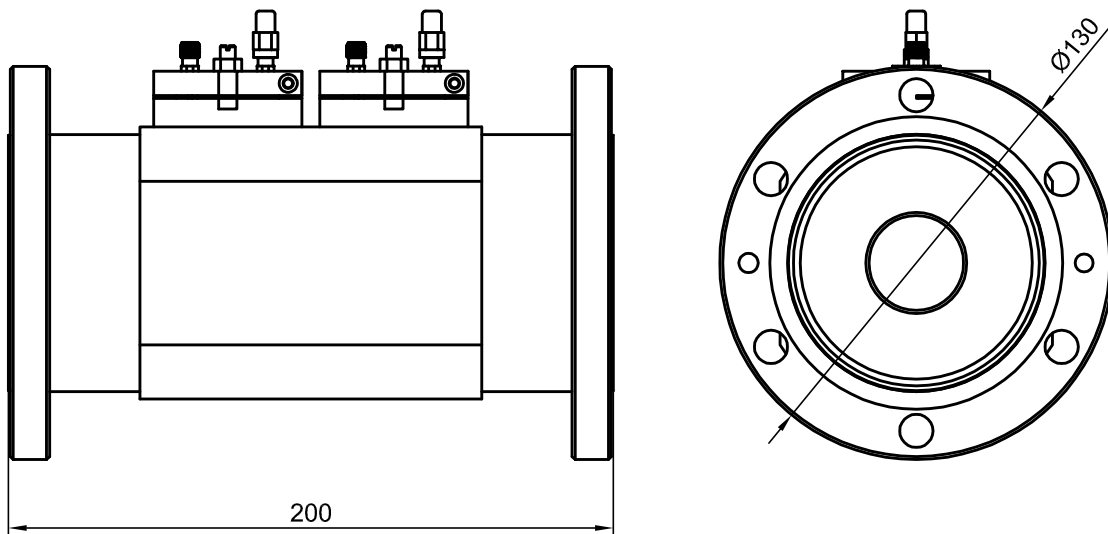


In term of law DELTA MECCANICA s.r.l. claims the property of this drawing. Any reproduction in any form without our authorization is forbidden
 This document cannot be considered to be a contractual specification. The informations given herein may be modified without notice due to product improvement or further development.



Electrical Characteristics		
Frequency Range	FM Band	87.5 + 108 MHz
	VHF BIII	170 + 230 MHz
	UHF BIV-V	470 + 862 MHz
Insertion Loss by Channels		< 0.05 dB
Return Loss by ch. (VSWR)		> 30 dB (≤ 1.06)
Input/Output Impedance		50 Ω
Coupling Range		-35 + -70dB (*)
Coupling Variation/Accuracy		± 0.15 dB (0.1 Typical)
Directivity		> 35 dB

(*) To be define at order confirmation

dwg. Adami	quality control	date 15/06/16	scale 1:2.5		A4 210X297	sheet 1/1
 DELTA Meccanica s.r.l.	TITLE 3 1/8" DIRECTIONAL COUPLER WITH TWO SMA EQUALIZED PROBE					REV.
	CODE 1258-02-SMA-E					