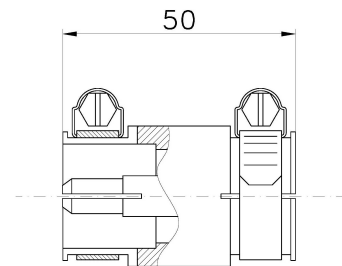


Product description **Straight Adaptors (Coupling assembly with inner)**

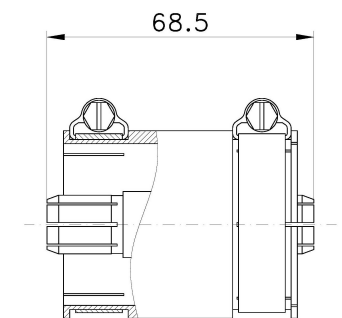
Part Number	1171
Impedance [Ohm]	50
Connectors	EIA 7/8"
Weight [kg.]	0.15



Overall dimensions [WxDxH] [mm.] 50x40x40

Product description **Straight Adaptors (Coupling assembly with inner)**

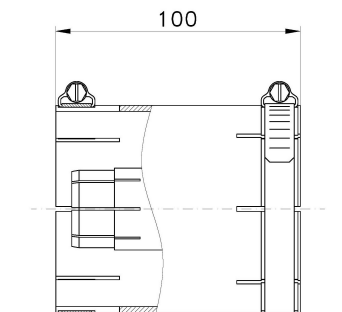
Part Number	1172
Impedance [Ohm]	50
Connectors	EIA 1 5/8"
Weight [kg.]	0.25



Overall dimensions [WxDxH] [mm.] 68.5x57x57

Product description **Straight Adaptors (Coupling assembly with inner)**

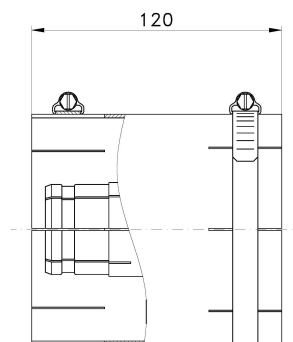
Part Number	1129
Impedance [Ohm]	50
Connectors	EIA 3 1/8"
Weight [kg.]	0.8



Overall dimensions [WxDxH] [mm.] 100x95x95

Product description **Straight Adaptors (Coupling assembly with inner)**

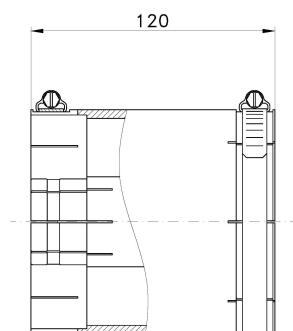
Part Number	1311
Impedance [Ohm]	50
Connectors	EIA 4 1/2"
Weight [kg.]	1.3



Overall dimensions [WxDxH] [mm.] 120x122x122

Product description **Straight Adaptors (Coupling assembly with inner)**

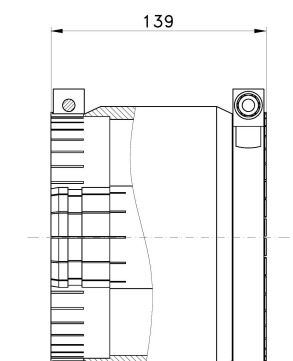
Part Number	1244
Impedance [Ohm]	50
Connectors	EIA 4 1/8"
Weight [kg.]	1.2



Overall dimensions [WxDxH] [mm.] 120x120x120

Product description **Straight Adaptors (Coupling assembly with inner)**

Part Number	1245
Impedance [Ohm]	50
Connectors	EIA 6 1/8"
Weight [kg.]	2.5



Overall dimensions [WxDxH] [mm.] 139x180x180