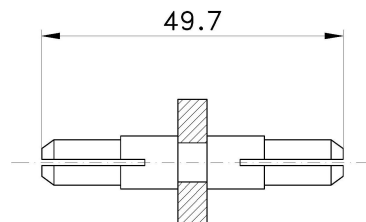


Product description **Inner - Anchor Insulator Connector**



Part Number **1016**

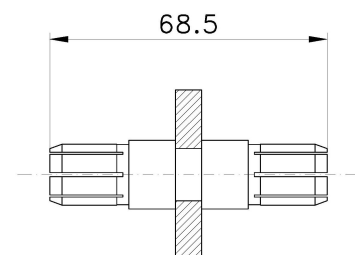
Impedance [Ohm] 50

Connectors EIA 7/8"

Weight [kg.] 0.02

Overall dimensions [WxDxH] [mm.] 49.7x20.7x20.7

Product description **Inner - Anchor Insulator Connector**



Part Number **1022**

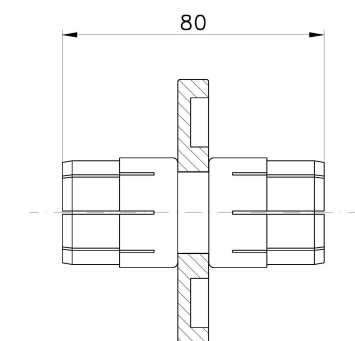
Impedance [Ohm] 50

Connectors EIA 1 5/8"

Weight [kg.] 0.08

Overall dimensions [WxDxH] [mm.] 68.5x41.7x41.7

Product description **Inner - Anchor Insulator Connector**



Part Number **1014**

Impedance [Ohm] 50

Connectors EIA 3 1/8"

Weight [kg.] 0.27

Overall dimensions [WxDxH] [mm.] 80x81.2x81.2

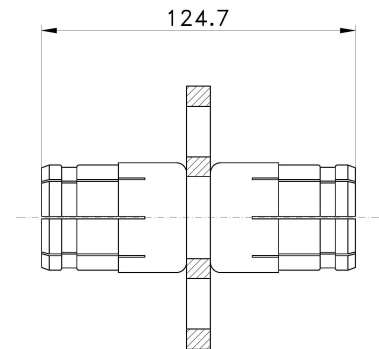
Product description **Inner - Anchor insulator connector**

Part Number **1398**

Impedance [Ohm] 50

Connectors EIA 4 1/16"

Weight [kg.] 0.45



Overall dimensions [WxDxH] [mm.] 124.7x104x104

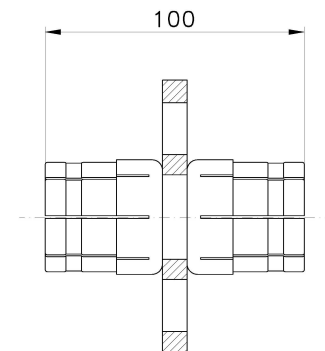
Product description **Inner - Anchor insulator connector**

Part Number **1174**

Impedance [Ohm] 50

Connectors EIA 4 1/8"

Weight [kg.] 0.4



Overall dimensions [WxDxH] [mm.] 100x105.4x105.4

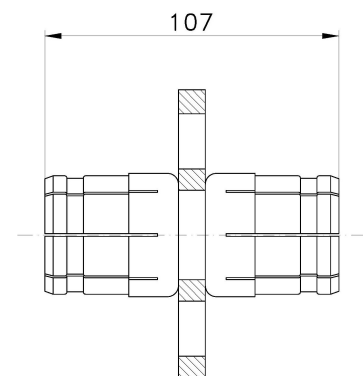
Product description **Inner - Anchor insulator connector**

Part Number **1310**

Impedance [Ohm] 50

Connectors EIA 4 1/2"

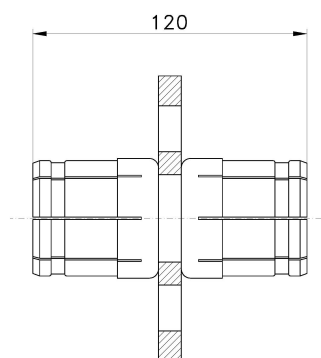
Weight [kg.] 0.45



Overall dimensions [WxDxH] [mm.] 107x105.5x105.5

Product description **Inner - Anchor insulator connector**

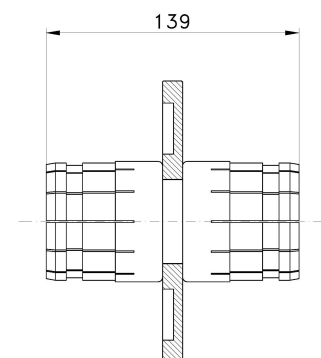
Part Number	1323
Impedance [Ohm]	50
Connectors	EIA 4 7/8"
Weight [kg.]	1



Overall dimensions [WxDxH] [mm.] 120x124x124

Product description **Inner - Anchor insulator connector**

Part Number	1175
Impedance [Ohm]	50
Connectors	EIA 6 1/8"
Weight [kg.]	1.5



Overall dimensions [WxDxH] [mm.] 139x154.2x154.2