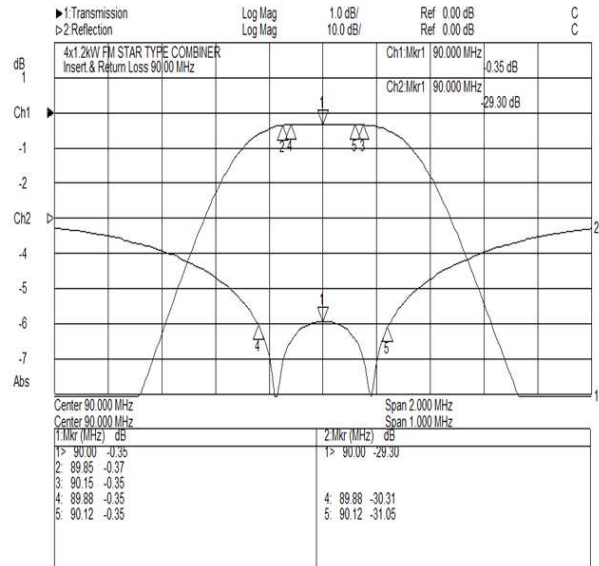


Technical data sheet

Part Number **20071-S4**

Star type configuration

FM-Radio Band II 4x1.2kW STAR COMBINER - Double Cavity Band Pass Filter



Mechanical Characteristics

Connections

Input	DIN 7/16
Output	EIA 7/8"

Overall dimensions [WxDxH] [mm.]	940x410x830
Temperature range [C°]	-10 ÷ 50
Weight [kg.]	75

Electrical Characteristics

Frequency Range [MHz]	87.5 ÷ 108
Insertion Loss by Channels [dB]	< 0.5
Return loss by Channels [dB]	> 26
Input/Output Impedance [Ohm]	50
Minimum distance between Channels [MHz]	2
Insulation Between Channels [dB]	> 30
Maximum Channel Input Power [W]	1200
Maximum Output Power [W]	4800

