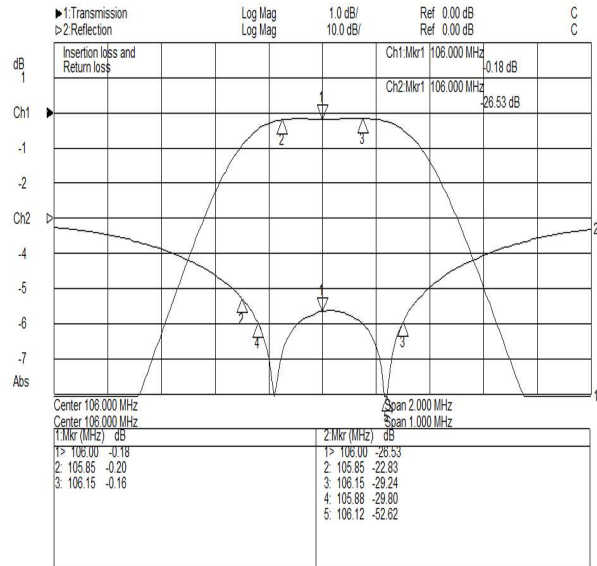


# Technical data sheet

Part Number **20041**

Band-pass filters

## FM-Radio Band II 20kW Band Pass Filter-double cavity



### Mechanical Characteristics

Connections	EIA 3 1/8" Male
Overall dimensions [WxDxH] [mm.]	560x1120x1160
Temperature range [C°]	-10 ÷ 50
Weight [kg.]	78

### Electrical Characteristics

Frequency Range [MHz]	87.5 ÷ 108
Maximum Input Power [W]	20000
Insertion Loss [dB] @ Fo	< 0.20
Insertion Loss [dB] @ Fo ± 150 kHz	< 0.25
Selectivity [dB] @ Fo ± 2 MHz	> 24
Return loss [dB]	> 26
Input/Output Impedance [Ohm]	50

