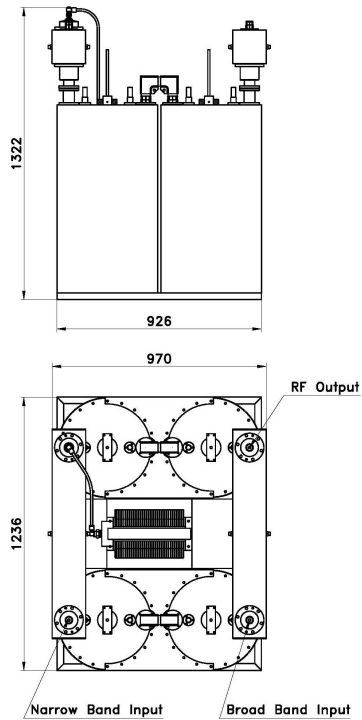


Technical data sheet

Part Number **20031-DP**

Double bridge configuration

FM-Radio Band II 20+30kW COMBINER Bridge Diplexer



Mechanical Characteristics

Connections

<i>Input narrowband</i>	EIA 3 1/8"
<i>Input broadband</i>	EIA 3 1/8"
<i>Output</i>	EIA 3 1/8"

Overall dimensions [WxDxH] [mm.] 970x1236x1322

Temperature range [C°] -10 ÷ 50

Weight [kg.] 190

Electrical Characteristics

Frequency Range [MHz] 87.5 ÷ 108

Narrow-band Insertion Loss [dB] < 0.25

Broad-band Insertion Loss [dB] < 0.2

Minimum distance between Channels [MHz] 1.4

Insulation NB>BB [dB] > 40

Insulation BB>NB [dB] > 40

Return loss by Channels [dB] > 26

Input/Output Impedance [Ohm] 50

Narrow-band Maximum Power [W] 20000

Broad-band Maximum Power [W] 30000

Maximum Output Power [W] 50000

Max. Group Delay Variation [ns]