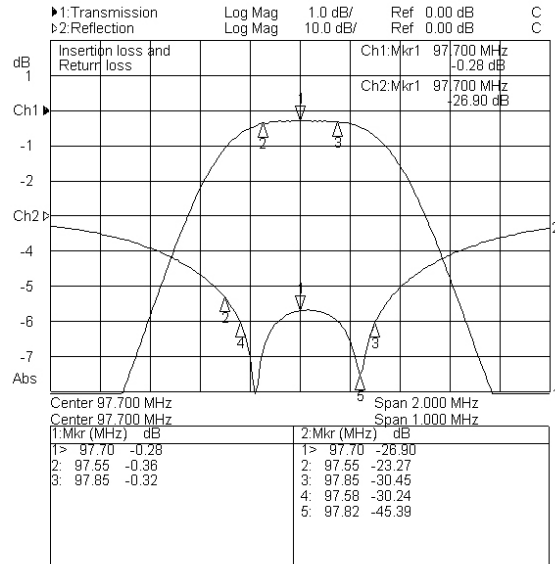


Technical data sheet

Part Number **20011-S4**

Star type configuration

FM-Radio Band II 4x2kW STAR COMBINER - Double Cavity Band Pass Filter



Mechanical Characteristics

Connections

Input	DIN 7/16 or EIA 7/8"
Output	EIA 1 5/8"

Overall dimensions [WxDxH] [mm.]	1150x510x900
Temperature range [C°]	-10 ÷ 50
Weight [kg.]	91

Electrical Characteristics

Frequency Range [MHz]	87.5 ÷ 108
Insertion Loss by Channels [dB]	< 0.4
Return loss by Channels [dB]	> 26
Input/Output Impedance [Ohm]	50
Minimum distance between Channels [MHz]	2
Insulation Between Channels [dB]	> 30
Maximum Channel Input Power [W]	2000
Maximum Output Power [W]	8000

