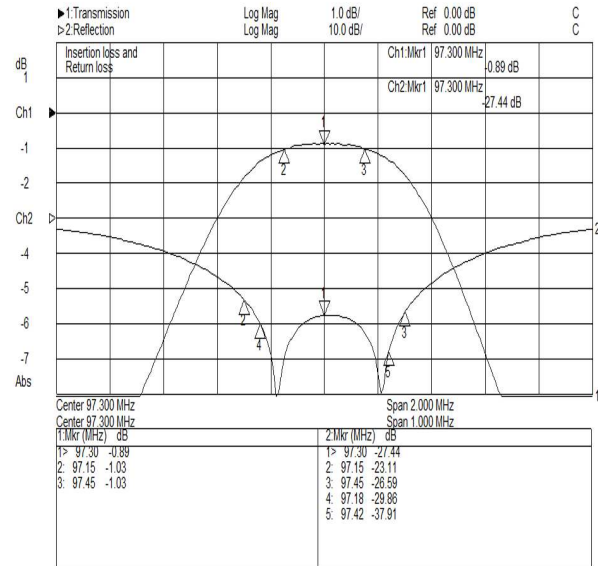


## Technical data sheet

Part Number **1633-S2**

Star type configuration

### FM-Radio Band II 2x100W STAR COMBINER - *Double Cavity Band Pass Filter* (on reception or transmission)



### Mechanical Characteristics

#### Connections

Input	N Female
Output	N Female

Overall dimensions [WxDxH] [mm.]	150x460x750(max)
Temperature range [C°]	-10 ÷ 50
Weight [kg.]	10

### Electrical Characteristics

Frequency Range [MHz]	87.5 ÷ 108
Insertion Loss by Channels [dB]	< 1
Return loss by Channels [dB]	> 26
Input/Output Impedance [Ohm]	50
Minimum distance between Channels [MHz]	2
Insulation Between Channels [dB]	> 30
Maximum Channel Input Power [W]	100
Maximum Output Power [W]	200

