

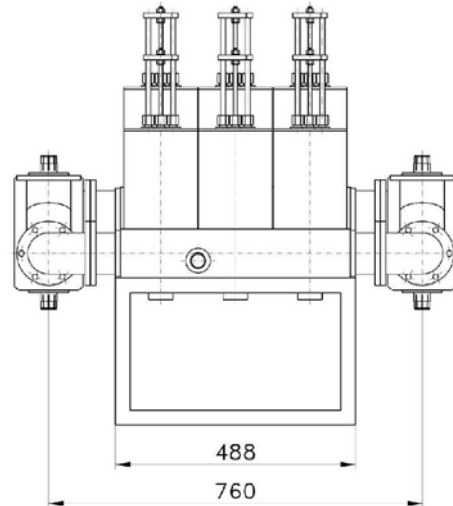
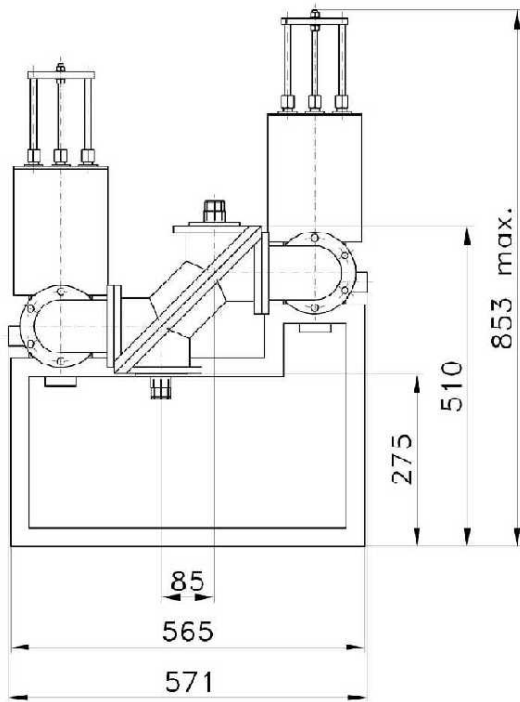
## Technical data sheet

Part Number 1321-318

Constant impedance/notch configuration

Band IV/V

20kW AUDIO/VIDEO COMBINER *C.I.N. Diplexer*



### Mechanical Characteristics

#### Connections

Audio	EIA 3 1/8"
Video and Output	EIA 3 1/8"

Overall dimensions [WxDxH] [mm.] 571x900x853

Temperature range [C°] -10 ÷ 50

Weight [kg.] 72

Air cooling System [m3/h] 350

### Electrical Characteristics

Frequency Range [MHz] 470 ÷ 862

Sound Stereo

Bandwidth [MHz] 7 ÷ 8

Video Insertion Loss [dB] @ V.C. < 0.2

Video Insertion Loss [dB] @ V.C. + 4.5 Mhz < 0.5

Video Insertion Loss [dB] @ V.C. + 5 Mhz 2.50

Insertion Loss [dB] @ S.C. < 1.35

Video Input Return loss [dB] > 30

Sound Input Return loss [dB] > 26

Input/Output Impedance [Ohm] 50

Insulation Audio>Video [dB] > 30

Insulation Video>Audio [dB] > 30

Maximum Vision Power [W] 20000

Maximum Sound Power [W] 2000

Max. Group Delay Variation [ns] 230

