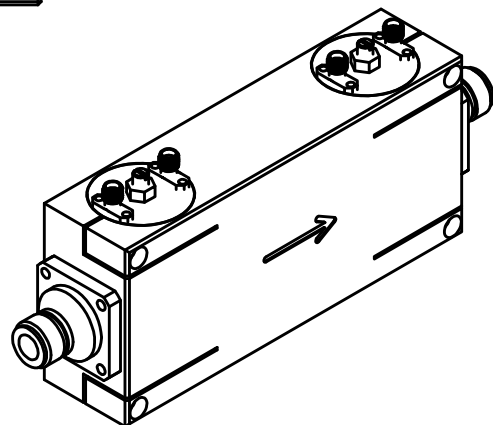
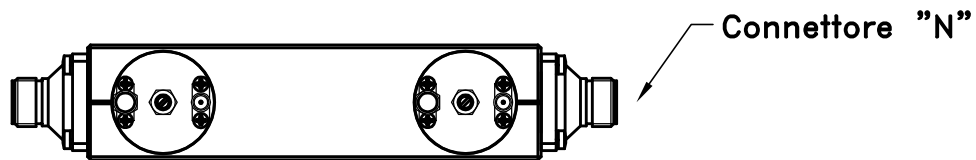
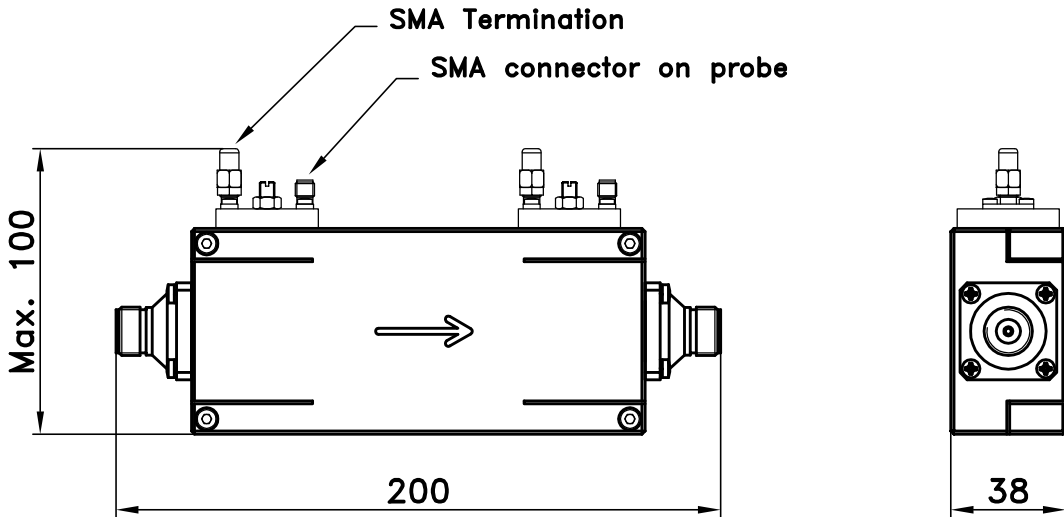


In term of law DELTA MECCANICA s.r.l. claims the property of this drawing. Any reproduction in any form without our authorization is forbidden  
 This document cannot be considered to be a contractual specification. The informations given herein may be modified without notice due to product improvement or further development.



| Electrical Characteristics |           |                                       |
|----------------------------|-----------|---------------------------------------|
| Frequency Range            | FM Band   | 87.5 + 108 MHz                        |
|                            | VHF BIII  | 170 + 230 MHz                         |
|                            | UHF BIV-V | 470 + 862 MHz                         |
| Insertion Loss by Channels |           | < 0.05 dB                             |
| Return Loss by ch. (VSWR)  |           | > 30 dB ( $\leq 1.06$ )               |
| Input/Output Impedance     |           | 50 $\Omega$                           |
| Coupling Factor            |           | -38 + -58dB(*)                        |
| Amplitude variation        |           | $\pm 0.15$ dB ( $\pm 0.1$ dB Typical) |
| Directivity                |           | > 30 dB                               |

(\*) To be define at order confirmation

|                                  |   |          |       |  |         |       |
|----------------------------------|---|----------|-------|--|---------|-------|
| dwg.                             | quality control   | date     | scale |  | A4      | sheet |
| Rosati                           |   | 22/10/15 | 1:2.5 |  | 210X297 | 1/1   |
| <br>DELTA<br>Meccanica<br>s.r.l. | TITLE "N" Directional coupler with 2 probes SMA Equalized |          |       |  |         |       |
|                                  | CODE 1319-02-SMA-E  |          |       |  |         | REV.  |