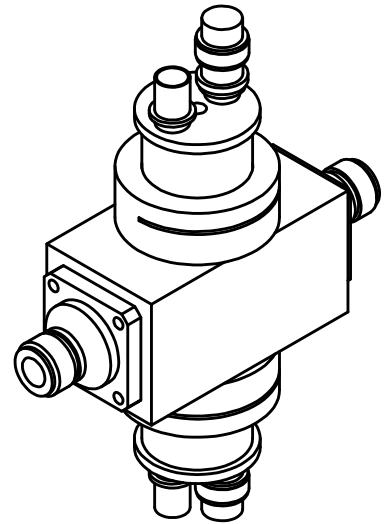
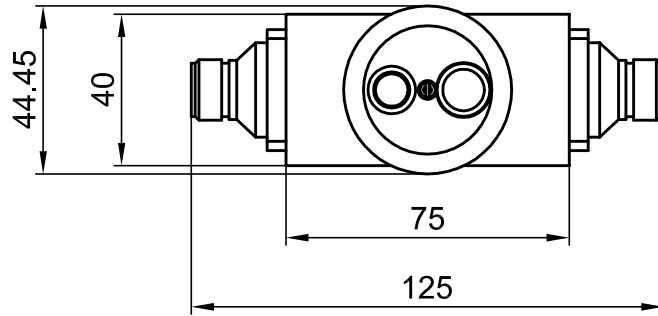
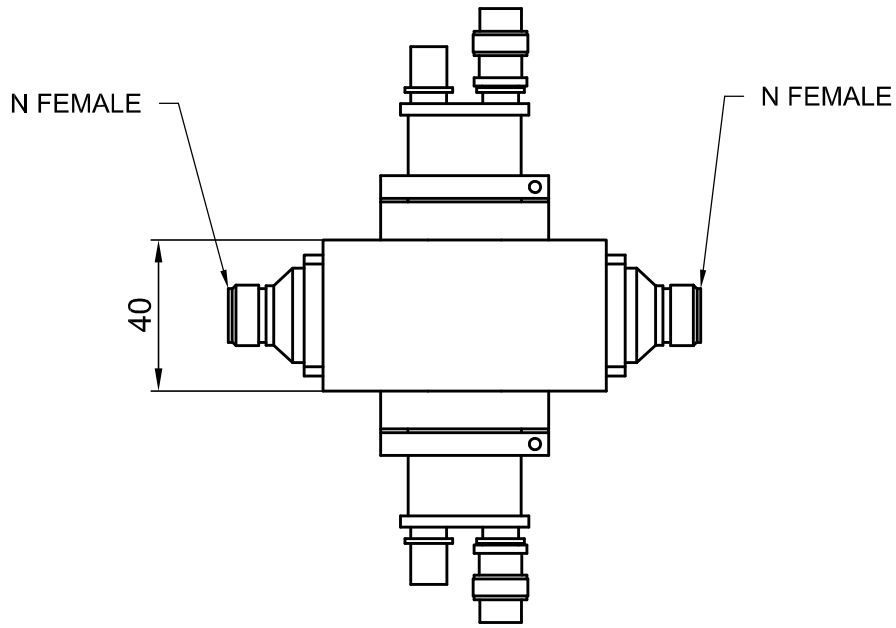


In term of law DELTA MECCANICA s.r.l. claims the property of this drawing. Any reproduction in any form without our authorization is forbidden  
 This document cannot be considered to be a contractual specification. The informations given herein may be modified without notice due to product improvement or further development.



Electrical Characteristics		
Frequency Range	FM Band	87.5 ± 108 MHz
	VHF BIII	170 ± 230 MHz
	UHF BIV-V	470 ± 862 MHz
Insertion Loss by Channels		< 0.05 dB
Return Loss by ch. (VSWR)		> 30 dB (≤ 1.06)
Input/Output Impedance		50 Ω
Coupling Factor		-35 ± -58dB (*)
Amplitude variation	FM Band	± 1 dB
	VHF BIII	± 1.5 dB
	UHF BIV-V	± 3 dB
Directivity		> 30 dB

(\*) To be define at order confirmation

dwg. Adami	quality control	date 21/07/16	scale 1:2		A4 210X297	sheet 1/1
 DELTA Meccanica s.r.l.	TITLE N DIRECTIONAL COUPLER WITH TWO BNC PROBES					REV.
	CODE 1319-02-BNC					