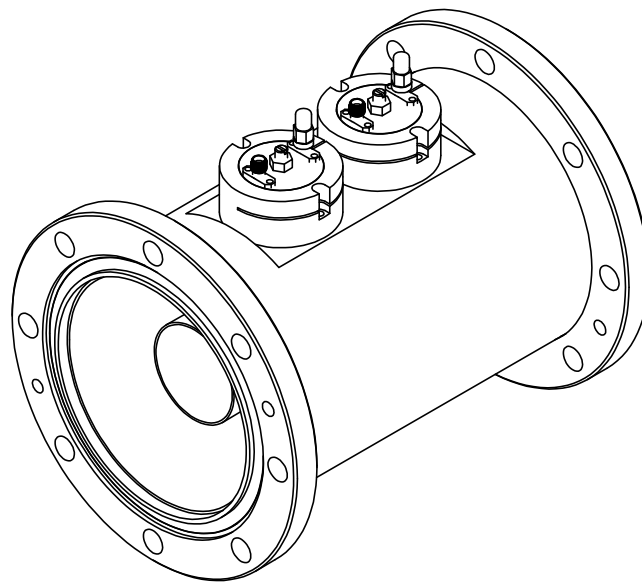
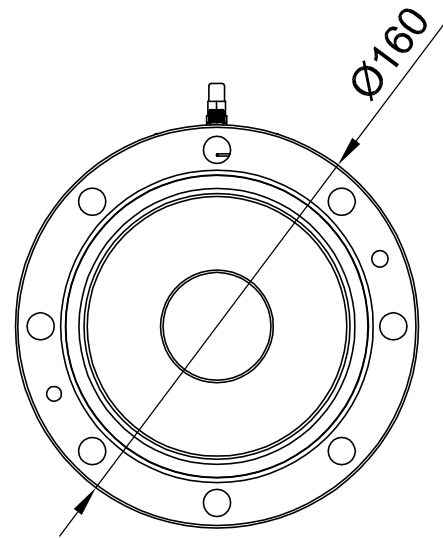
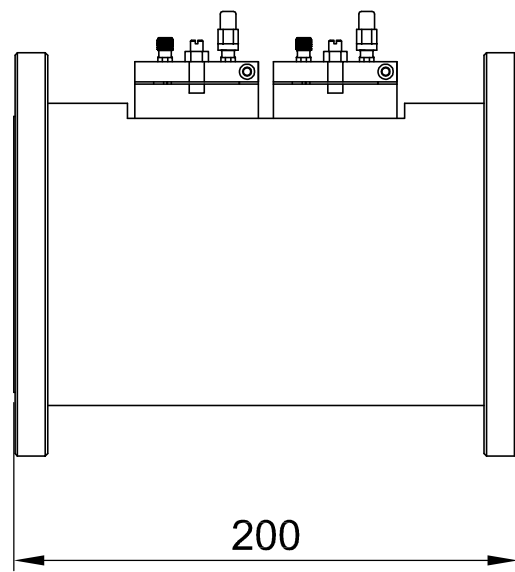


In term of law DELTA MECCANICA s.r.l. claims the property of this drawing. Any reproduction in any form without our authorization is forbidden
 This document cannot be considered to be a contractual specification. The informations given herein may be modified without notice due to product improvement or further development.



Electrical Characteristics		
Frequency Range	FM Band	87.5 ÷ 108 MHz
	VHF Bill	170 ÷ 230 MHz
	UHF BIV-V	470 ÷ 862 MHz
Insertion Loss by Channels		< 0.05 dB
Return Loss by ch. (VSWR)		> 30 dB (≤ 1.06)
Input/Output Impedance		50 Ω
Coupling Factor		-38 ÷ -58dB(*)
Amplitude variation		± 0.15 dB (± 0.1dB Typical)
Directivity		> 30 dB

(*) To be define at order confirmation

dwg.	quality control	date	scale		A4	sheet
Adami		21/02/18	1:3		210X297	1/1
 DELTA Meccanica s.r.l.	TITLE					
	4 1/2" DIRECTIONAL COUPLER WITH TWO SMA EQUALIZED PROBE					
CODE					REV.	
1316-02-SMA-E						