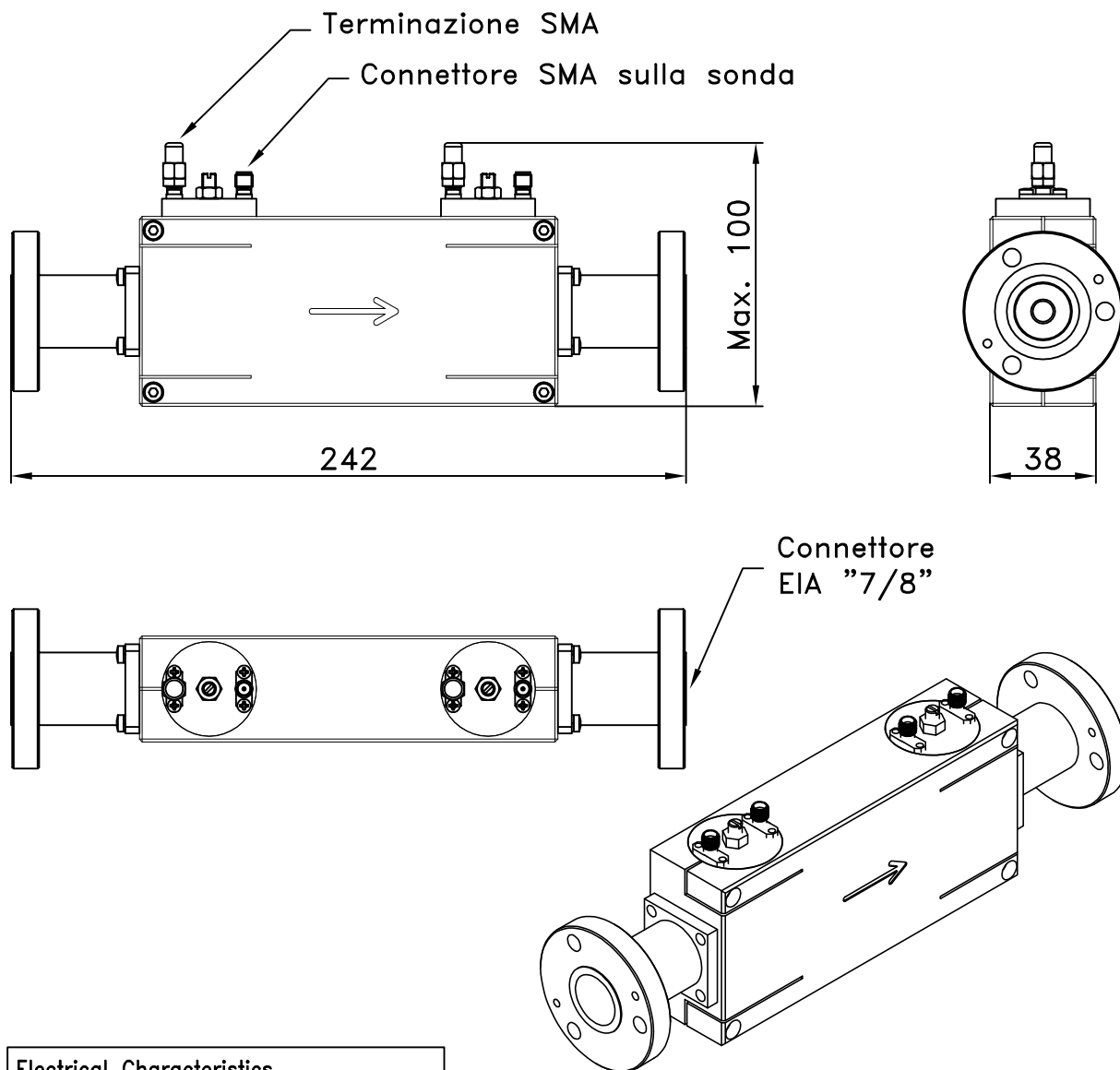


In term of law DELTA MECCANICA s.r.l. claims the property of this drawing. Any reproduction in any form without our authorization is forbidden. This document cannot be considered to be a contractual specification. The informations given herein may be modified without notice due to product improvement or further development.



Electrical Characteristics		
Frequency Range	FM Band	87.5 ÷ 108 MHz
	VHF BIII	170 ÷ 230 MHz
	UHF BIV-V	470 ÷ 862 MHz
Insertion Loss by Channels		< 0.05 dB
Return Loss by ch. (VSWR)		> 26 dB (≤ 1.1)
Input/Output Impedance		50 Ω
Coupling Factor (Amplitude variation)		-35 ÷ -70dB(*) (± 0.2dB)
Directivity		> 30 dB

(*) To be define at order confirmation

dwg. Rosati	quality control	date 11/02/15	scale 1:2.5		A4 210X297	sheet 1/1
 DELTA Meccanica s.r.l.	TITLE EIA 7/8" Directional Coupler with two SMA Equalized probes					REV.
	CODE 1261-02-SMA-E					