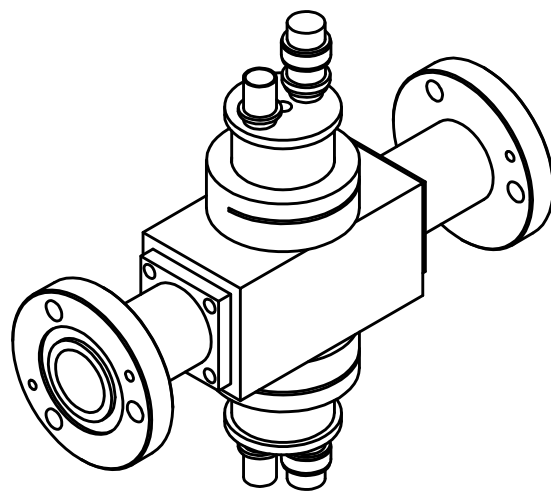
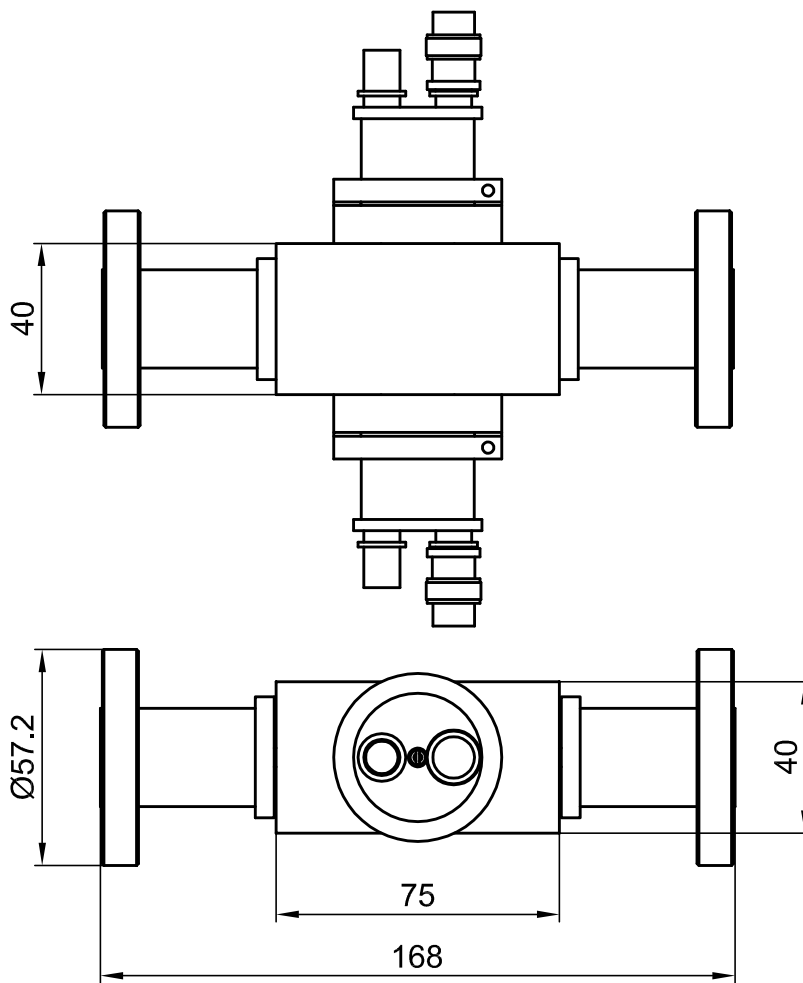


In term of law DELTA MECCANICA s.r.l. claims the property of this drawing. Any reproduction in any form without our authorization is forbidden. This document cannot be considered to be a contractual specification. The informations given herein may be modified without notice due to product improvement or further development.



Electrical Characteristics		
Frequency Range	FM Band	87.5 ± 108 MHz
	VHF BIII	170 ± 230 MHz
	UHF BIV-V	470 ± 862 MHz
Insertion Loss by Channels	< 0.05 dB	
Return Loss by ch. (VSWR)	> 30 dB (≤ 1.06)	
Input/Output Impedance	50 Ω	
Coupling Factor	-35 ± -58dB (*)	
Amplitude variation	FM Band	± 1 dB
	VHF BIII	± 1.5 dB
	UHF BIV-V	± 3 dB
Directivity	> 30 dB	

(*) To be define at order confirmation

dwg.	quality control	date	scale		A4	sheet
Adami		10/10/14	1:2		210X297	1/1
 DELTA Meccanica s.r.l.	TITLE					REV.
	EIA 7/8" DIRECTIONAL COUPLER WITH TWO BNC PROBE					
CODE		1261-02-BNC				